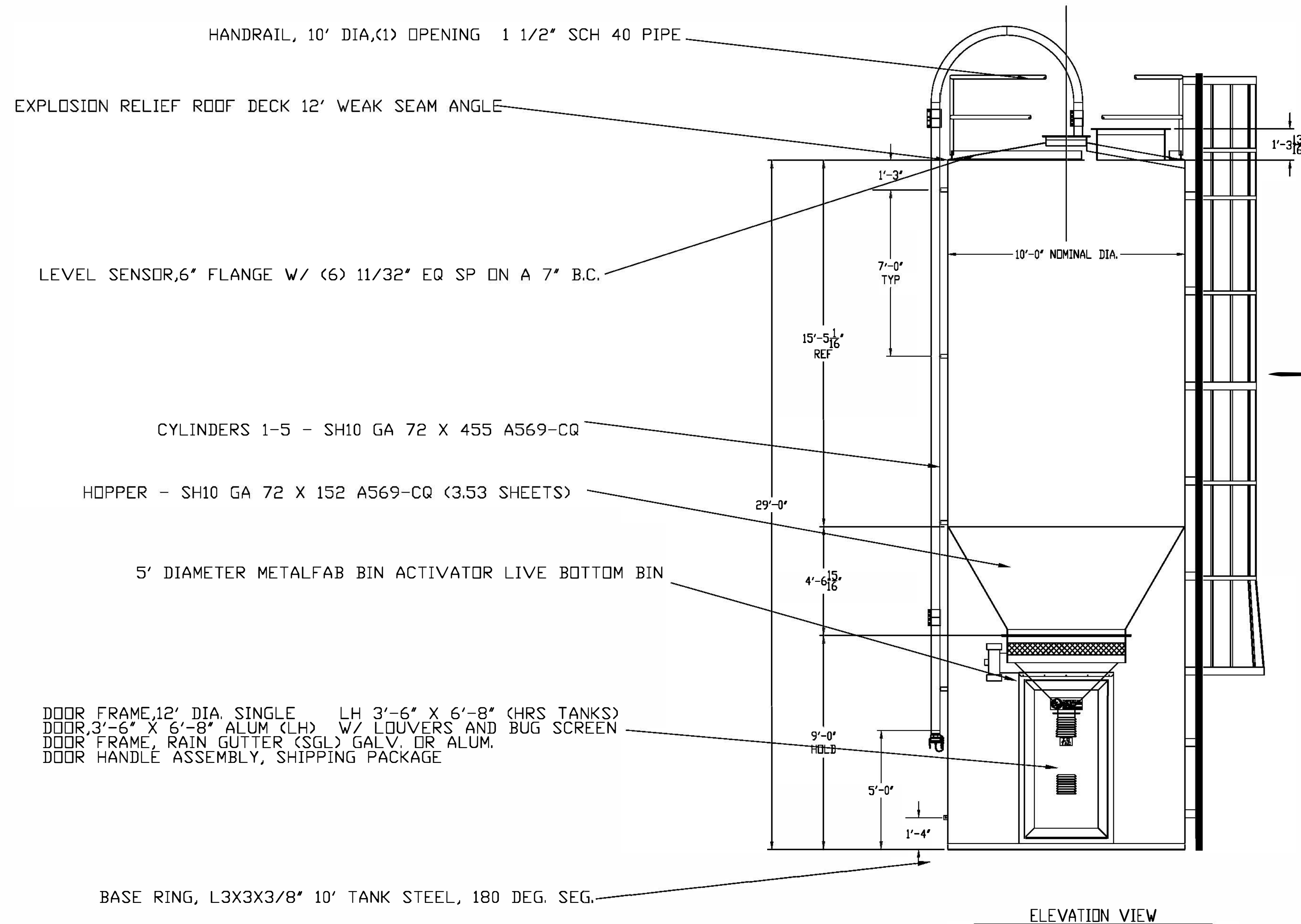
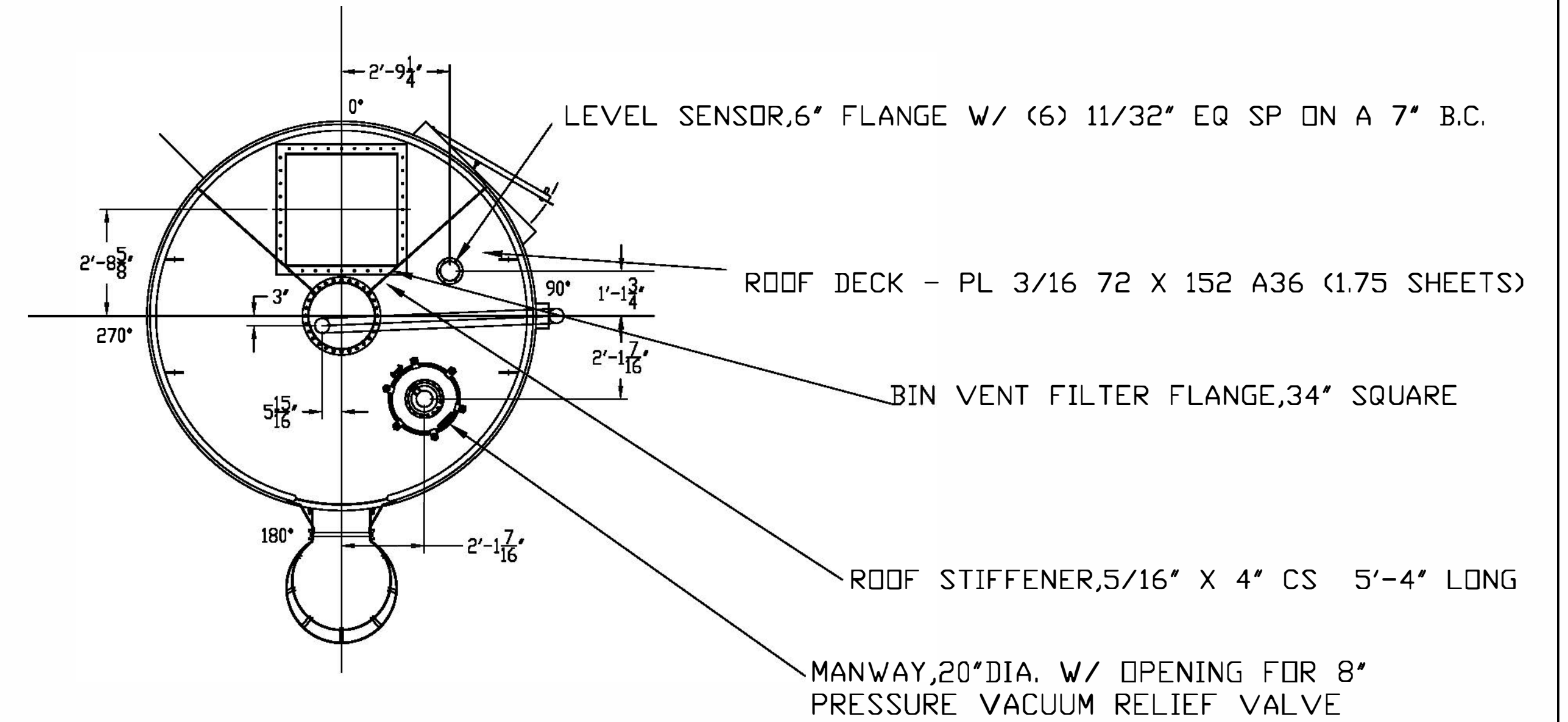


THOMAS CONVEYOR

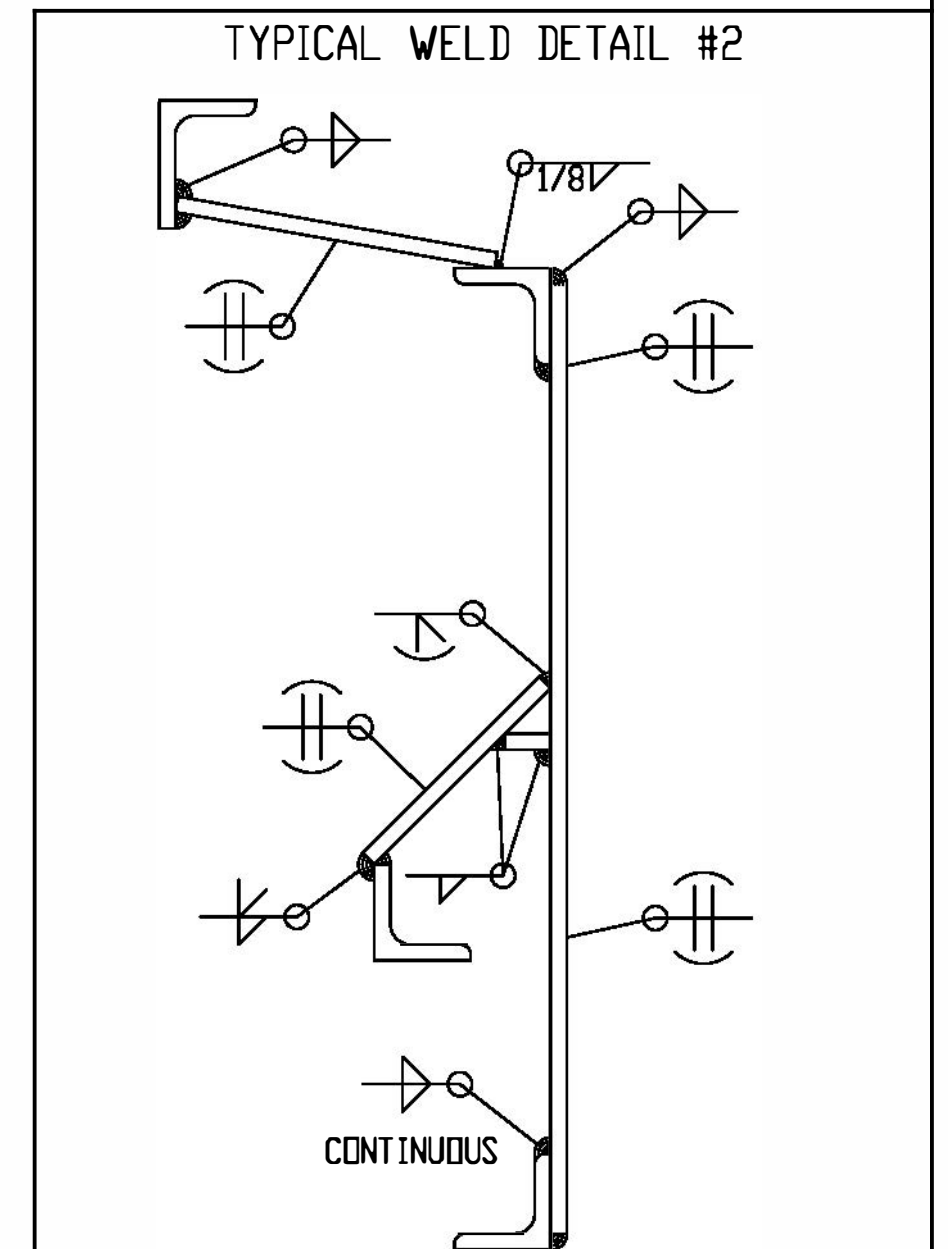
and Equipment Company, Inc.

TOLL FREE- 844-220-0086

Hillside IL | www.tceconveyors.com | 844-220-0086
 Sugar, Starch, Gelatin, Corn Meal, DDG's, Seed
 INDUSTRIAL STORAGE SILOS



LADDER ASSY, 55' WITH CAGE (L.H. PLAT)
 BOLT BAG, 55' ALUMINUM LADDER WITH CAGE
 SAFETY CAGE CLOSURE GATE ASSY. (ALUM)



MANUFACTURING TOLERANCES PER ES531
 QUOTE #: QUOTE#
 MATERIAL TYPE: STARCH_SILLO

DESIGN NOTES:	CODE
0.2 SECOND SPECTRAL RESPONSE	SEISMIC S _{0.2}
1 SECOND SPECTRAL RESPONSE	SEISMIC S ₁
SEISMIC SITE CLASS	SOILTYPE
SEISMIC IMP. FACTOR	SEISMICFACTOR
ANALYSIS PROCEDURE EQUIVALENT LATERAL FORCE (ELFP)	WIND MPH (EXP. C)
MAX. WIND SPEED	WINDFACTOR
WIND IMPORTANCE FACTOR	LIVELOAD PSF
MAX. DECK LIVE LOAD	DENSITY LBS/FT ³
MAX. MATERIAL DENSITY	PRESSURE PSI
MAX. INTERNAL PRESSURE	VACUUM PSI
MAX. INTERNAL VACUUM	CAPACITY CUBIC FOOT
CAPACITY	WEIGHT LBS
SHIPPING WEIGHT	OPWEIGHT LBS
OPERATING WEIGHT	TEMP °F
TEMPERATURE	

FOUNDATION LOADS:	
OVERTURN MOMENT	OVERTURN FT-LBS.
HORIZONTAL SHEAR	SHEAR LBS.
MAX. LOAD PER IN. OF BASE	LINEAR LBS.
MAX. LOAD PER ANCHOR BOLT	BOLT LBS.
RECOMMENDED BOLT DIA.	BOLTDIA BM

SHIPPING NOTE:
 COVER ALL OPENINGS WITH SHIPPING COVERS. CAUTION:
 DO NOT SEAL TANK COMPLETELY, CHANGES IN TEMPERATURE
 OR ATMOSPHERIC PRESSURE MAY CAUSE DAMAGE TO TANK.

FOR ANCHOR BOLT LAYOUT
 SEE DRAWING 003

ELEVATION VIEW

BASE RING, L3X3X3/8\"/>