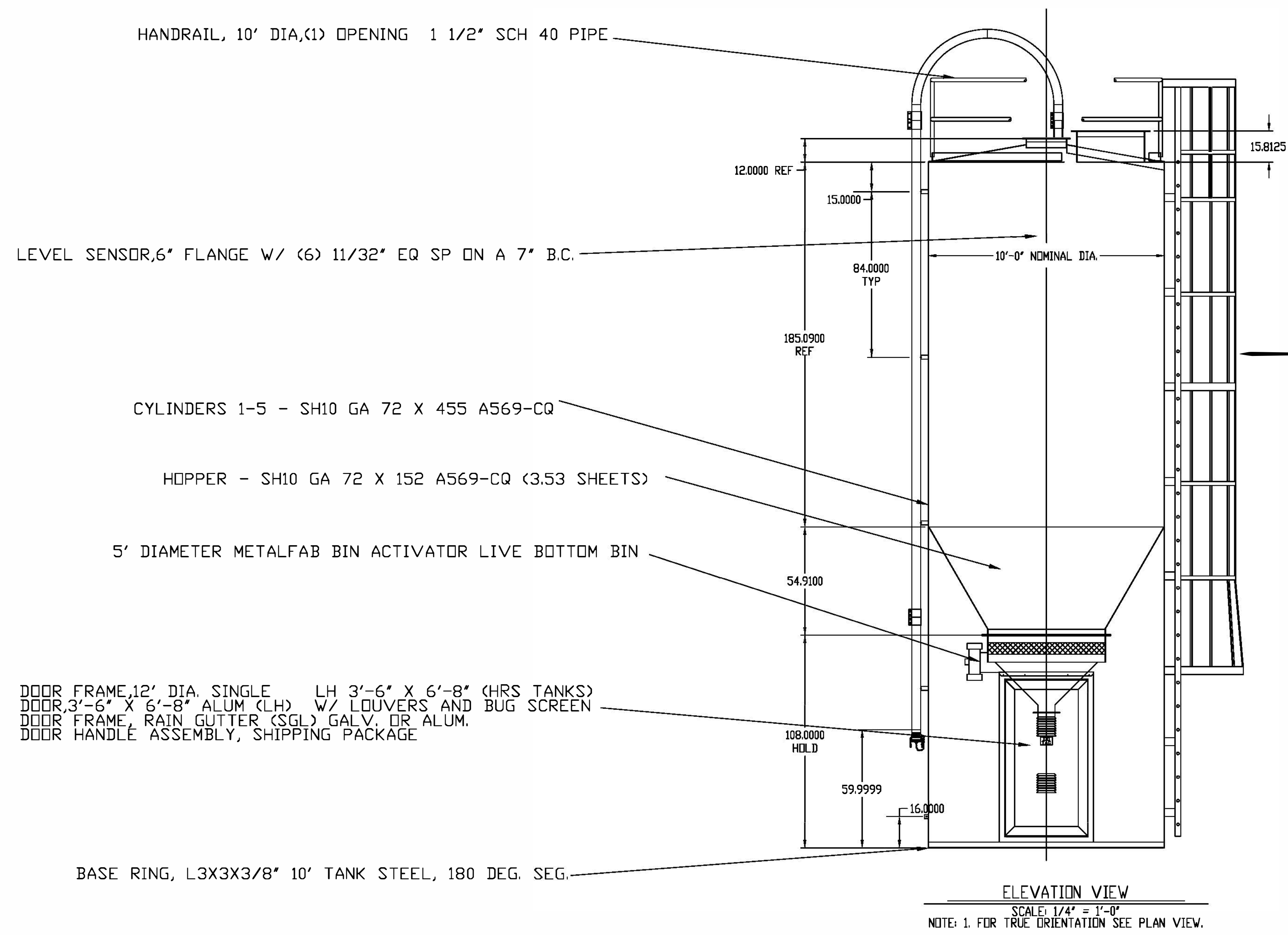
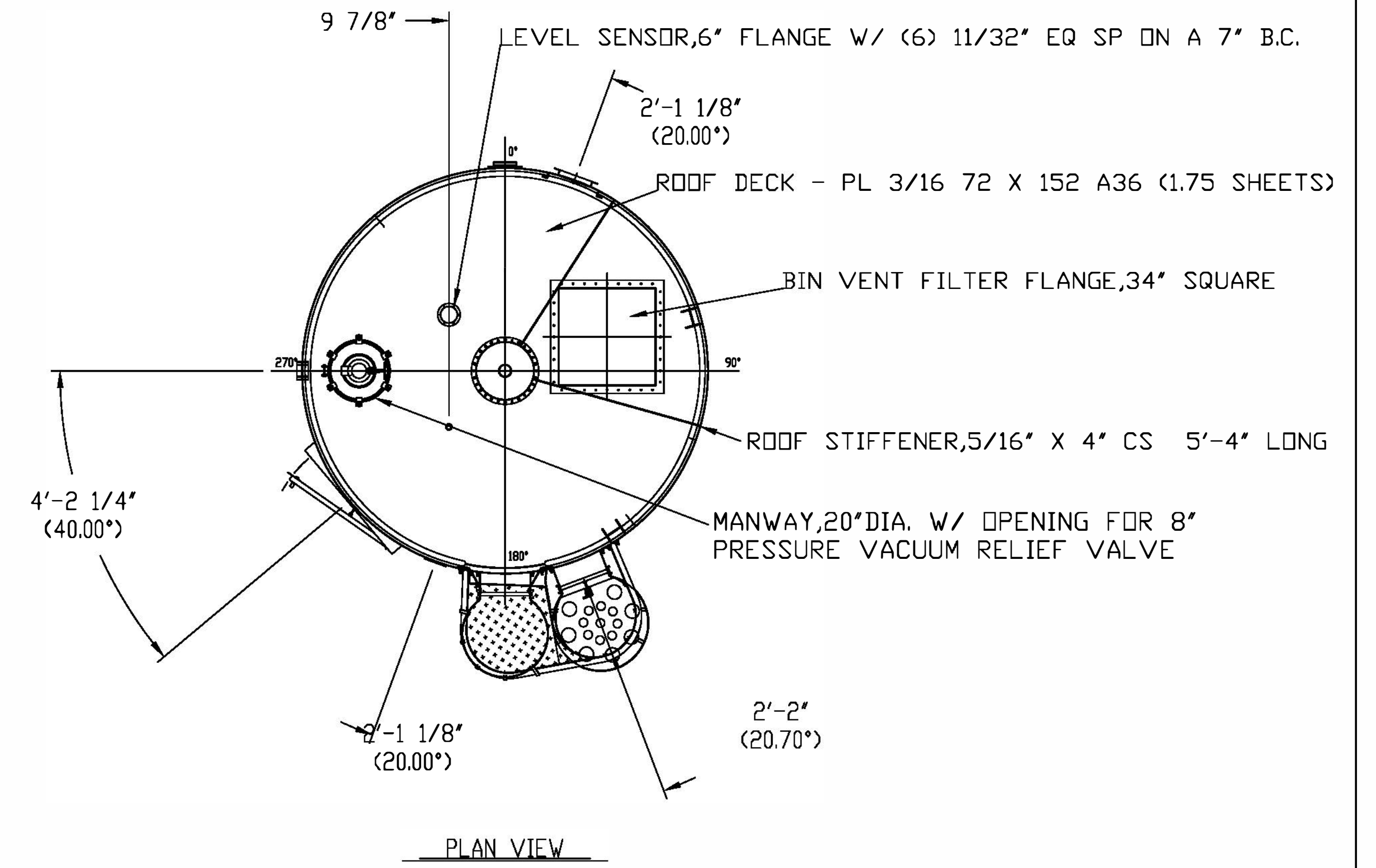


# THOMAS CONVEYOR

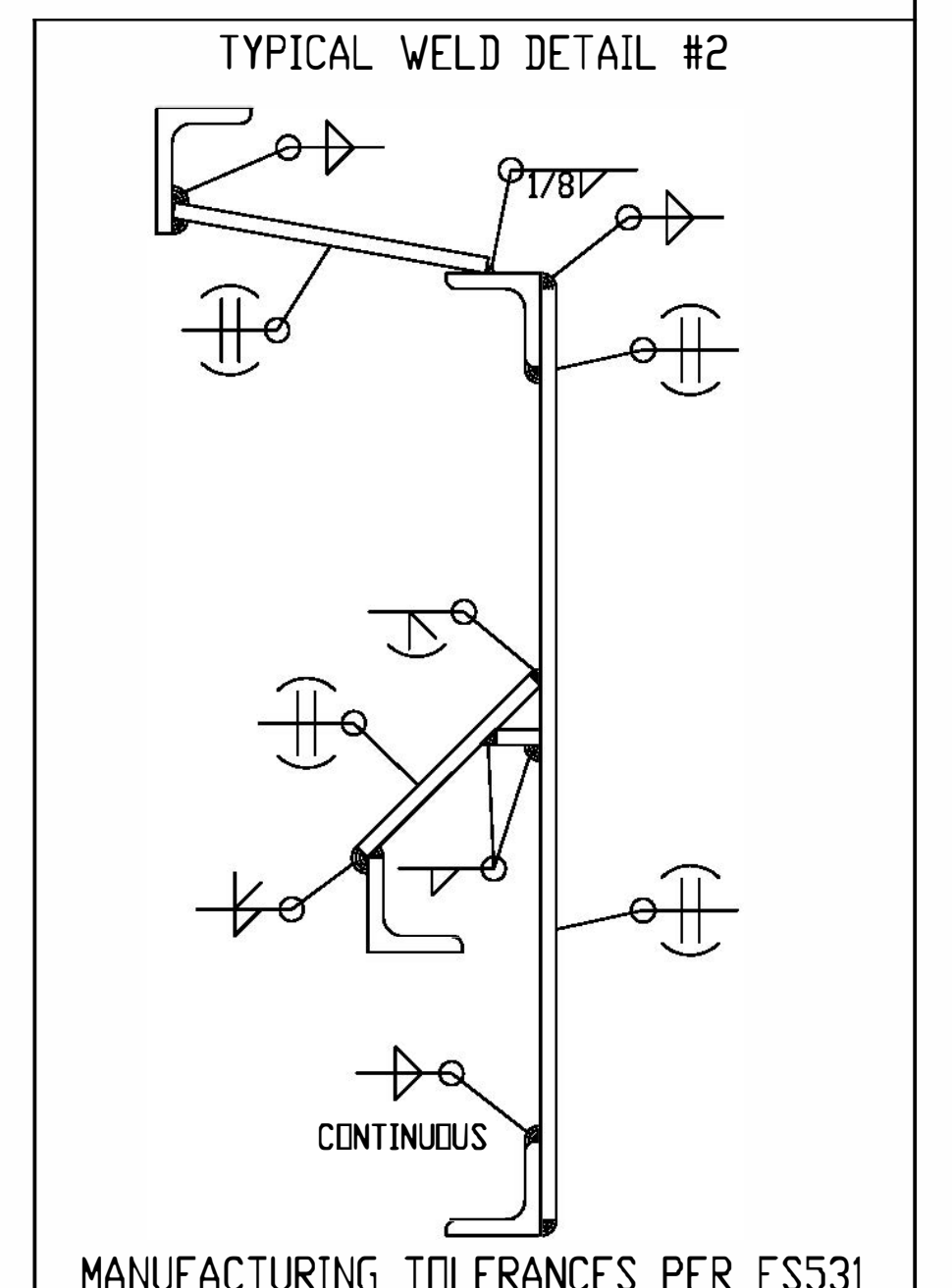
and Equipment Company, Inc.

TOLL FREE- 844-220-0086

Hillside IL | www.tceconveyors.com | 844-220-0086  
 Soda Ash, Caustic Soda, Sodium Hydroxide, Fly Ash,  
 Fertilizer, Kaolin Clay Storage Silos



LADDER ASSY, 55' WITH CAGE (L.H. PLAT)  
 BOLT BAG, 55' ALUMINUM LADDER WITH CAGE  
 SAFETY CAGE CLOSURE GATE ASSY. (ALUM)



CYLINDERS 1-5 - SH10 GA 72 X 455 A569-CQ

HOPPER - SH10 GA 72 X 152 A569-CQ (3.53 SHEETS)

5' DIAMETER METALFAB BIN ACTIVATOR LIVE BOTTOM BIN

DOOR FRAME, 12' DIA. SINGLE LH 3'-6" X 6'-8" (HRS TANKS)  
 DOOR, 3'-6" X 6'-8" ALUM (LH) W/ LOUVERS AND BUG SCREEN  
 DOOR FRAME, RAIN GUTTER (SGL) GALV. OR ALUM.  
 DOOR HANDLE ASSEMBLY, SHIPPING PACKAGE

FOR ANCHOR BOLT LAYOUT  
 SEE DRAWING W/ #

DESIGN NOTES:	CODE
0.2 SECOND SPECTRAL RESPONSE	SEISMIC S <sub>0.2</sub>
1 SECOND SPECTRAL RESPONSE	SEISMIC S <sub>1</sub>
SEISMIC SITE CLASS	SOIL TYPE
SEISMIC IMP. FACTOR	SEISMIC FACTOR
ANALYSIS PROCEDURE EQUIVALENT LATERAL FORCE (ELFP)	WIND MPH (EXP. C)
MAX. WIND SPEED	WIND FACTOR
WIND IMPORTANCE FACTOR	LIVE LOAD PSF
MAX. DECK LIVE LOAD	DENSITY LBS/FT <sup>3</sup>
MAX. MATERIAL DENSITY	PRESSURE PSI
MAX. INTERNAL PRESSURE	VACUUM PSI
MAX. INTERNAL VACUUM	CAPACITY CUBIC FOOT
CAPACITY	WEIGHT LBS
SHIPPING WEIGHT	OPERATING WEIGHT
TEMPERATURE	TEMP °F

FOUNDATION LOADS:	
OVERTURN MOMENT	OVERTURN FT-LBS.
HORIZONTAL SHEAR	SHEAR LBS.
MAX. LOAD PER IN. OF BASE	LINEAR LBS.
MAX. LOAD PER ANCHOR BOLT	BOLT LBS.
RECOMMENDED BOLT DIA.	BOLT DIA BM

QUOTE #: QUOTE#  
 MATERIAL TYPE: SODA\_ASH\_SILO

SHIPPING NOTE:  
 COVER ALL OPENINGS WITH SHIPPING COVERS. CAUTION:  
 DO NOT SEAL TANK COMPLETELY, CHANGES IN TEMPERATURE  
 OR ATMOSPHERIC PRESSURE MAY CAUSE DAMAGE TO TANK.