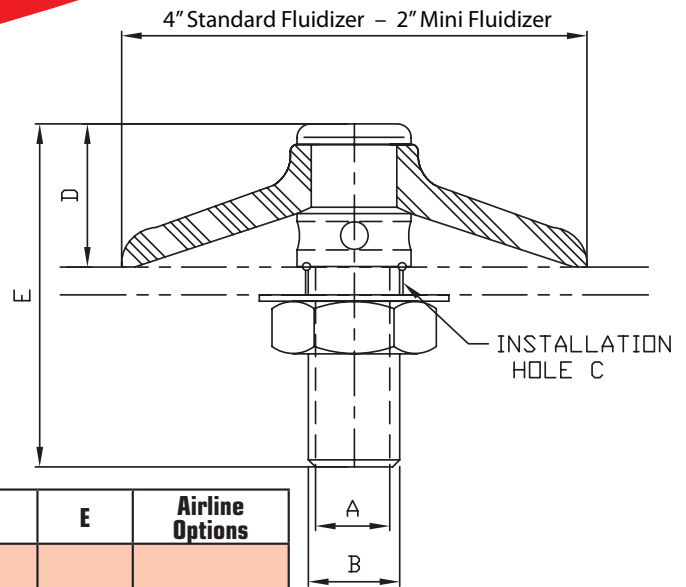


Silo Fluidizer Technical Data



Series	Part #	Stem Material	Disk Color	Disk Material	A	B	C	D	E	Airline Options
4300	4300	Steel	Blue	Silicone	1/4" NPT	1/2" NPT	7/8" (22 mm)	1-3/16" (30 mm)	3" (76 mm)	3/8"-1/2" (10-12 mm) Tubing
	4301		White							
	4302	Aluminum	Blue							
	4303		White							
	4304	Stainless Steel	Blue							
	4305		White							
4400	4400	Steel	Blue	Silicone	1/2" NPT	3/4" NPT	1-1/16" (27 mm)	1-1/4" (32 mm)	3-1/16" (78 mm)	1/2"-3/4" (13-19 mm) Tubing or Hose
	4401		White							
	4402	Aluminum	Blue							
	4403		White							
	4404	Stainless Steel	Blue							
	4405		White							
4500	4500	Steel	Blue	Silicone	3/4" NPT	1" NPT	1-3/8" (35 mm)	1-1/4" (32 mm)	3-1/4" (83 mm)	3/4"-1" (19-25 mm) Hose
	4501		White							
	4502	Aluminum	Blue							
	4503		White							
	4504	Stainless Steel	Blue							
	4505		White							
MINI	4804	Stainless Steel	Blue	Silicone	1/8" NPT	NA	1/2" (13 mm)	9/16" (14 mm)	1-1/2" (38 mm)	1/4" (6 mm) Tubing
	4805		White							

Series	AIRFLOW REQUIREMENTS
4300	Capacity 10 – 20 CFM @ 20 – 30 PSI (15 – 30m ³ /h @ 1-2 bar)
4400	Capacity 25 – 40 CFM @ 10 – 20 PSI (40 – 70m ³ /h @ 0.7-1.5 bar)
4500	Capacity 30 – 50 CFM @ 5 – 10 PSI (50 – 85m ³ /h @ 0.3-0.7 bar)
MINI	Capacity 2 – 3 CFM @ 20 – 30 PSI (3.5 – 5m ³ /h @ 1-2 bar)

Engineering Assistance. Fax or e-mail a sketch or drawing of your chamber, along with a description of your bulk material and we will provide a recommended number and placement of Fluidizers for your application the next day.