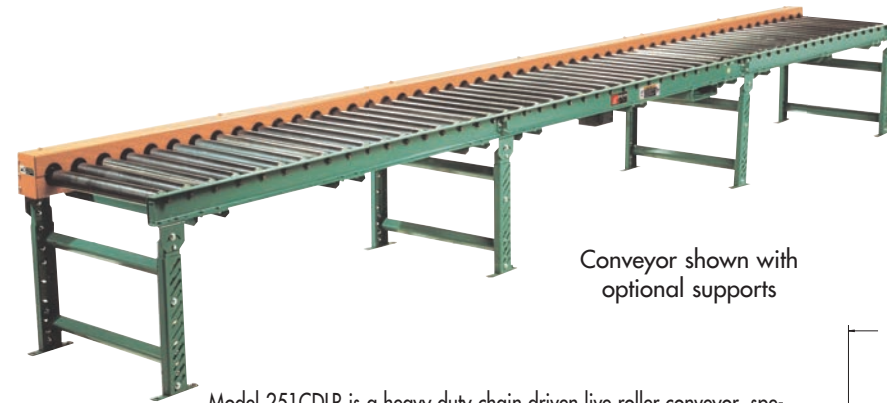


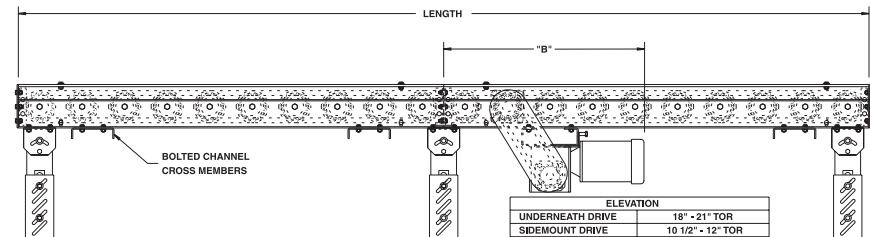
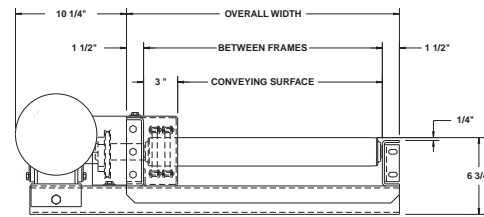
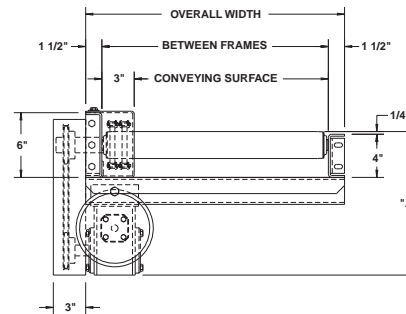
MODEL 251CDLR HEAVY DUTY CHAIN DRIVEN LIVE ROLLER

24 HOUR SHIPMENTS INCLUDE LENGTHS 5'-0" TO 80'-0" AS DETAILED BELOW



Conveyor shown with optional supports

Model 251CDLR is a heavy duty chain driven live roller conveyor, specifically designed to transport heavy loads such as tote pans, castings, drums, pallet loads, etc. It is especially suited for carrying loads in the presence of oil and other such contaminants.



| HP @ 35FPM | "A" MAX | "B" MAX |
|------------|---------|-----------|
| 3/4 | 13" | 38-13/16" |
| 1 | 13-1/4" | 39-1/8" |
| 1-1/2 | 14-1/8" | 39-1/8" |
| 2 | 15" | 40-13/16" |

SPECIFICATIONS

TREAD ROLLERS: 2-1/2" dia. x 11 ga. steel rollers, model 251S with sprockets.

CHAIN DRIVE: Roller to roller with No. 60 roller chain.

ROLLER CENTERS: 3", 4-1/2", 6", 9" or 12". (SEE NOTE FOR 3" RC)

CENTER DRIVE: Reversible drive either side mounted or underside mounted (specify). Main drive roller is supported by precision, heavy duty, lubricated, ball bearing units.

BED: 6" x 1-1/2" x 7 ga. and 4" x 1-1/2" x 7 ga. formed steel channel frame. Bed sections attached with couplings and floor supports.

MOTOR DRIVE: 3/4 HP, 230/460/3, 60 cycle, ODP right angle gear motor.

BEARINGS: Precision ABEC bearings.

CHAIN GUARD: The chain drive is completely enclosed along the entire length of the conveyor.

BED LENGTHS (4-1/2" or 9" RC): Intermediate bed section lengths 3'-0", 3'-9", 4'-6", 5'-3", 6'-0", 6'-9", 7'-6", 8'-3", 9'-0" and 9'-9" increments. Minimum overall conveyor length with drive 5'-3". Maximum overall conveyor length: 58'-6" with 4-1/2" RC; 78'-0" with 9" RC.

BED LENGTHS (6" or 12" RC): Intermediate bed section lengths are available in 1'-0" increments. Minimum overall conveyor length with drive 5'-0". Maximum overall conveyor length 80'-0".

ELECTRICAL CONTROLS: Optional.

SPEED: 35 FPM, constant.

*NOTE 3" RC: 3" RC are available with #40 chain on 40-14 double single sprocket sleeves.



OPTIONAL 3" RC NOW AVAILABLE (guard removed for clarity)

SPECIFICATION TABLE

■ 24 hour shipment

| UNIT WEIGHTS (FOR 4-1/2" AND 9" ROLLER CENTERS ONLY) | | | | | | | | | | | | | | | | | | | |
|--|-----|-----------|-------|-----------|-------|-----------|-------|-----------|-------|-----------|-------|-----------|-------|-----------|-------|-----------|-------|-----------|-------|
| CONVEYOR LENGTH | | 5'-3" | | 9'-9" | | 19'-6" | | 29'-3" | | 39' | | 48'-9" | | 58'-6" | | 68'-3" | | 78' | |
| CONV. SURFACE | BF | 4-1/2" RC | 9" RC | 4-1/2" RC | 9" RC | 4-1/2" RC | 9" RC | 4-1/2" RC | 9" RC | 4-1/2" RC | 9" RC | 4-1/2" RC | 9" RC | 4-1/2" RC | 9" RC | 4-1/2" RC | 9" RC | 4-1/2" RC | 9" RC |
| 12" | 15" | 317 | 282 | 522 | 452 | 928 | 788 | 1304 | 1099 | 1699 | 1427 | 2105 | 1763 | 2511 | 2099 | 2503 | 2844 | | |
| 18" | 21" | 347 | 307 | 577 | 497 | 1033 | 873 | 1455 | 1221 | 1899 | 1588 | 2355 | 1964 | 2811 | 2340 | 2753 | 3129 | | |
| 24" | 27" | 377 | 330 | 632 | 537 | 1138 | 948 | 1606 | 1328 | 2099 | 1729 | 2605 | 2140 | 3110 | 2551 | 3003 | 3414 | | |
| 30" | 33" | 407 | 352 | 687 | 577 | 1243 | 1023 | 1757 | 1435 | 2299 | 1870 | 2855 | 2316 | 3412 | 2762 | 3253 | 3699 | | |
| 36" | 39" | 443 | 373 | 753 | 613 | 1368 | 1088 | 1938 | 1528 | 2538 | 1993 | 3104 | 2419 | 3770 | 2945 | 3468 | 3944 | | |
| 42" | 45" | 472 | 395 | 807 | 652 | 1473 | 1163 | 2090 | 1636 | 2738 | 2134 | 3404 | 2645 | 4070 | 3156 | 3718 | 4229 | | |
| 48" | 51" | 500 | 415 | 862 | 692 | 1578 | 1238 | 2240 | 1743 | 2938 | 2275 | 3654 | 2821 | 4370 | 3367 | 3968 | 4514 | | |
| 51" | 54" | 516 | 428 | 890 | 713 | 1631 | 1277 | 2317 | 1799 | 3039 | 2348 | 3780 | 2913 | 4521 | 3477 | 4094 | 4657 | | |
| 54" | 57" | 532 | 440 | 917 | 732 | 1683 | 1313 | 2391 | 1850 | 3139 | 2418 | 3904 | 2998 | 4670 | 3579 | 4218 | 4799 | | |
| 60" | 63" | 567 | 460 | 982 | 767 | 1808 | 1378 | 2571 | 1943 | 3377 | 2539 | 4203 | 3150 | 5029 | 3761 | 4433 | 5044 | | |

| UNIT WEIGHTS (FOR 6" AND 12" ROLLER CENTERS ONLY) | | | | | | | | | | | | | | | | | | | |
|---|-----|-------|--------|-------|--------|-------|--------|-------|--------|-------|--------|-------|--------|-------|--------|-------|--------|-------|--------|
| CONVEYOR LENGTH | | 5' | | 10' | | 20' | | 30' | | 40' | | 50' | | 60' | | 70' | | 80' | |
| CONV. SURFACE | BF | 6" RC | 12" RC | 6" RC | 12" RC | 6" RC | 12" RC | 6" RC | 12" RC | 6" RC | 12" RC | 6" RC | 12" RC | 6" RC | 12" RC | 6" RC | 12" RC | 6" RC | 12" RC |
| 12" | 15" | 299 | 287 | 482 | 432 | 848 | 728 | 1214 | 1064 | 1580 | 1380 | 1946 | 1699 | 2312 | 2012 | 2678 | 2328 | 3044 | 2644 |
| 18" | 21" | 324 | 297 | 527 | 467 | 933 | 813 | 1339 | 1159 | 1745 | 1505 | 2151 | 1851 | 2557 | 2197 | 2963 | 2543 | 3369 | 2889 |
| 24" | 27" | 349 | 312 | 572 | 502 | 1018 | 878 | 1464 | 1254 | 1910 | 1630 | 2356 | 2006 | 2802 | 2382 | 3248 | 2758 | 3694 | 3134 |
| 30" | 33" | 374 | 332 | 617 | 537 | 1103 | 943 | 1589 | 1349 | 2075 | 1755 | 2561 | 2161 | 3047 | 2567 | 3533 | 2973 | 4019 | 3379 |
| 36" | 39" | 399 | 348 | 662 | 563 | 1188 | 988 | 1714 | 1429 | 2240 | 1840 | 2766 | 2266 | 3292 | 2692 | 3818 | 3118 | 4344 | 3544 |
| 42" | 45" | 424 | 367 | 707 | 597 | 1273 | 1053 | 1839 | 1509 | 2405 | 1965 | 2971 | 2421 | 3537 | 2877 | 4103 | 3333 | 4669 | 3789 |
| 48" | 51" | 449 | 387 | 752 | 632 | 1358 | 1118 | 1964 | 1604 | 2570 | 2090 | 3176 | 2576 | 3782 | 3062 | 4388 | 3548 | 4994 | 4034 |
| 51" | 54" | 462 | 400 | 775 | 650 | 1401 | 1151 | 2027 | 1652 | 2653 | 2153 | 3279 | 2654 | 3905 | 3155 | 4531 | 3656 | 5157 | 4157 |
| 54" | 57" | 474 | 407 | 797 | 667 | 1443 | 1183 | 2089 | 1699 | 2736 | 2216 | 3381 | 2731 | 4027 | 3247 | 4673 | 3763 | 5319 | 4279 |
| 60" | 63" | 499 | 422 | 842 | 692 | 1528 | 1228 | 2214 | 1764 | 2900 | 2300 | 3586 | 2836 | 4272 | 3372 | 4958 | 3908 | 5644 | 4444 |

OPTIONAL EQUIPMENT

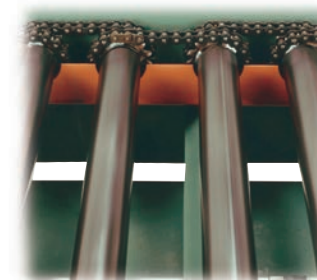
SPEED: Constant speed 1.5-100 FPM; DC variable speed; AC inverter variable speed. Other constant or variable speeds available. NOTE: CAPACITY CHANGES WITH SPEED. 100 FPM MAX. WITH ROLL-TO-ROLL CHAIN DRIVE.

FLOOR SUPPORTS: Supports, knee braces, casters and polytier supports available. See Conveyor Accessories.

ELECTRICAL CONTROLS: Magnetic starter (one direction or reversible); one direction manual starter; momentary start/stop push button station; for-forward/reversing/stop push button station; mounting and pre-wiring for units 12'-0" long and under; limit switch, photo relay; others available.

BED: 4" at 5.4 lb. and 6" at 8.2 lb. structural steel channel frame.

MOTORS: Available through 3 HP in TEFC, explosion proof, dirty duty, brake motor, 115/230/1, 575/3, etc.



ROLLER TO ROLLER CHAIN DRIVE (guard removed for clarity)



OPTIONAL TOP ROLLER GUARD MOUNTED DRIVE