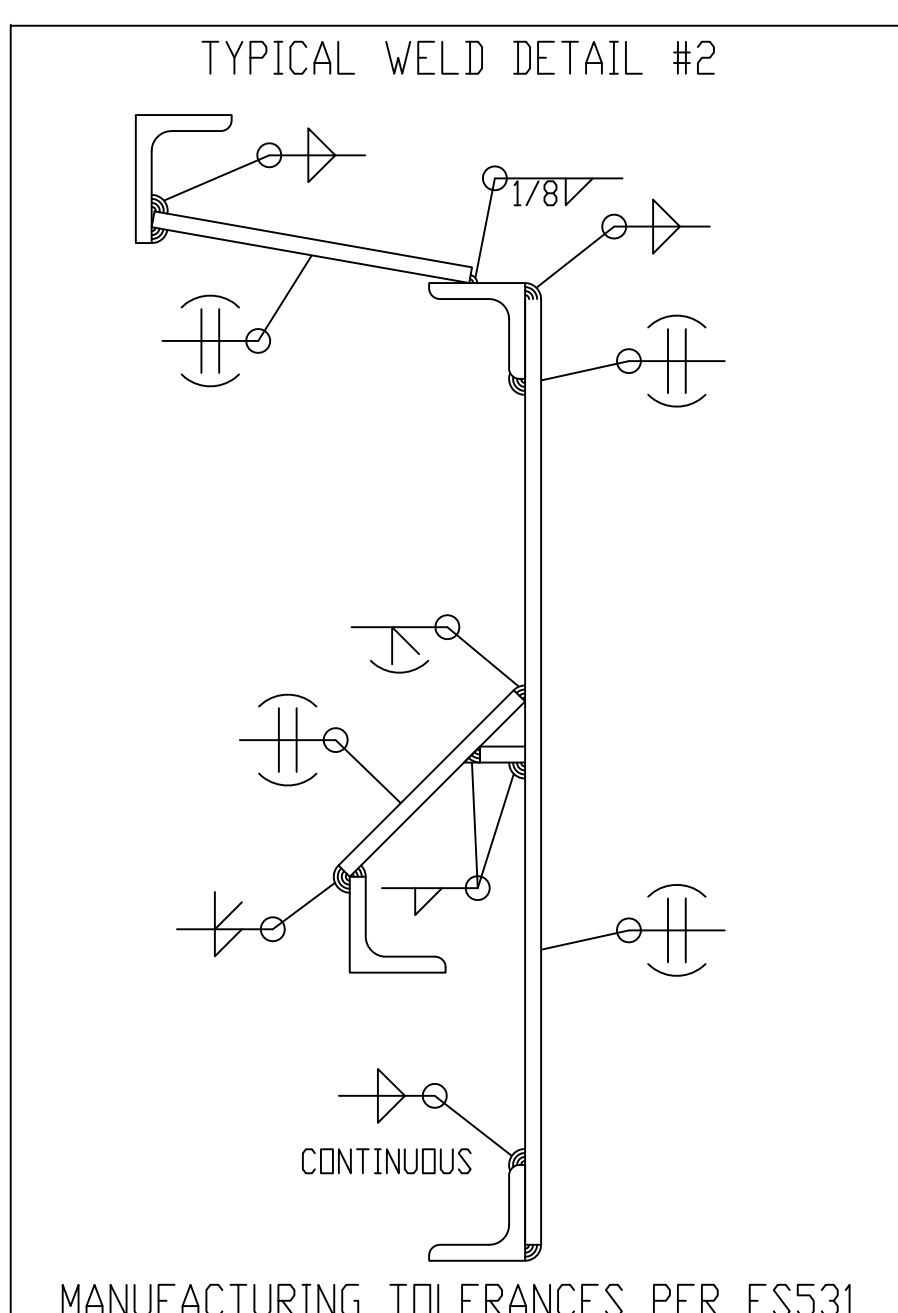


THOMAS CONVEYOR
and Equipment Company, Inc.
TOLL FREE- 844-220-0086

Hillside IL | www.tceconveyors.com | 844-220-0086
CORN GLUTEN STORAGE SILO



- CYLINDERS 1-5 - SH10 GA 72 X 455 A569-CQ
- HOPPER - SH10 GA 72 X 152 A569-CQ (3.53 SHEETS)
- 6' DIAMETER METALFAB BIN ACTIVATOR LIVE BOTTOM
- DOOR FRAME, 12' DIA. SINGLE LH 3'-6" X 6'-8" (HRS TANKS)
- DOOR, 3'-6" X 6'-8" ALUM (LH) W/ LOUVERS AND BUG SCREEN
- DOOR FRAME, RAIN GUTTER (SGL) GALV. OR ALUM.
- DOOR HANDLE ASSEMBLY, SHIPPING PACKAGE
- BASE RING, L3X3X3/8" 12' TANK STEEL, 180 DEG. SEG.

FOR ANCHOR BOLT LAYOUT
SEE DRAWING W/ #:

DESIGN NOTES:	CODE
0.2 SECOND SPECTRAL RESPONSE	SEISMIC S _s
1 SECOND SPECTRAL RESPONSE	SEISMIC S _w
SEISMIC SITE CLASS	SOIL TYPE
SEISMIC IMP. FACTOR	SEISMIC FACTOR
ANALYSIS PROCEDURE EQUIVALENT	LATERAL FORCE (ELFP)
MAX. WIND SPEED	WIND MPH (EXP. C)
WIND IMPORTANCE FACTOR	WIND FACTOR
MAX. DECK LIVE LOAD	LIVE LOAD PSF
MAX. MATERIAL DENSITY	DENSITY LBS/FT ³
MAX. INTERNAL PRESSURE	PRESSURE PSI
MAX. INTERNAL VACUUM	VACUUM PSI
CAPACITY	CAPACITY CUBIC FOOT
SHIPPING WEIGHT	WEIGHT LBS
OPERATING WEIGHT	OP WEIGHT LBS
TEMPERATURE	TEMP °F

FOUNDATION LOADS:	
OVERTURN MOMENT	OVERTURN FT-LBS.
HORIZONTAL SHEAR	SHEAR LBS.
MAX. LOAD PER IN. OF BASE	LINEAR LBS.
MAX. LOAD PER ANCHOR BOLT	BOLT LBS.
RECOMMENDED BOLT DIA.	BOLT DIA. BM

SHIPPING NOTE:
COVER ALL OPENINGS WITH SHIPPING COVERS. CAUTION:
DO NOT SEAL TANK COMPLETELY, CHANGES IN TEMPERATURE
OR ATMOSPHERIC PRESSURE MAY CAUSE DAMAGE TO TANK.