

HANDRAIL, 12' DIA, (1) OPENING 1 1/2" SCH 40 PIPE

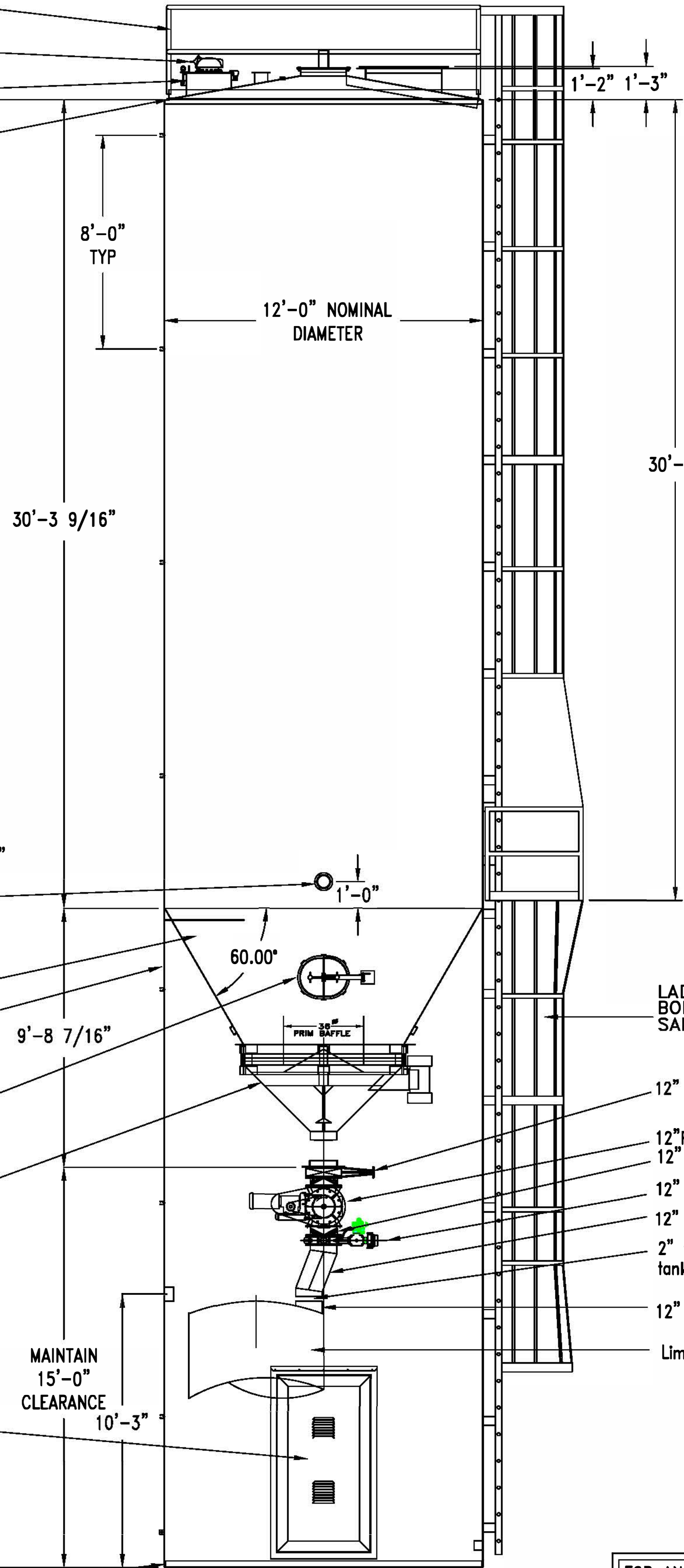
COVER, 20" DIA MANWAY

FLANGE, 20" W/ 3" COLLAR

EXPLOSION RELIEF ROOF DECK 12' WEAK SEAM ANGLE



Hillside IL | www.tceconveyors.com | 844-220-0086
Lime, Limestone, Hydrated Lime, Pebble, Calcium Carbonate, CaCO3, Gypsum Industrial Storage Silos



LEVEL SENSOR, 6" FLANGE W/ (6) 11/32" EQ SP ON A 7" B.C.

HOPPER - SH10 GA 72 X 152 A569-CQ (3.53 SHEETS)

CYLINDERS 1-5 - SH10 GA 72 X 455 A569-CQ

MANWAY, 17"x21", ELLIPTICAL STL. CONTAINS (2) WHT NEO GASKETS

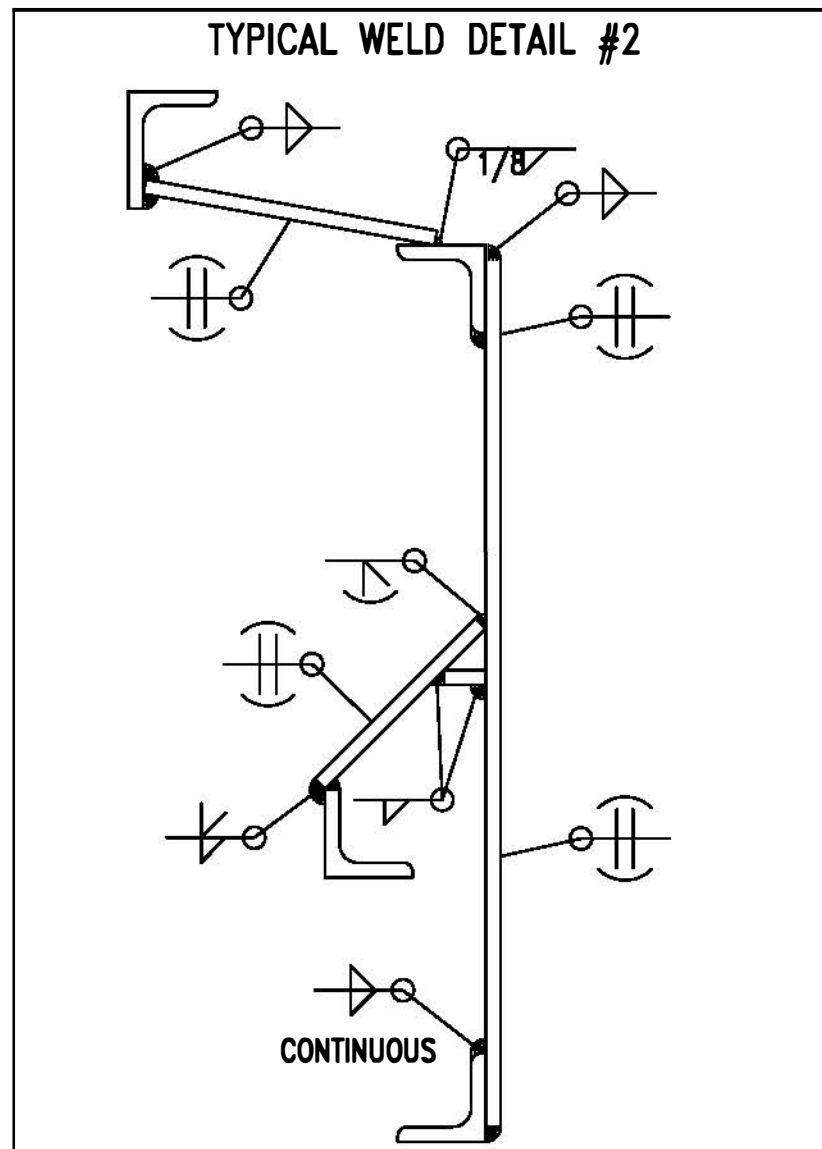
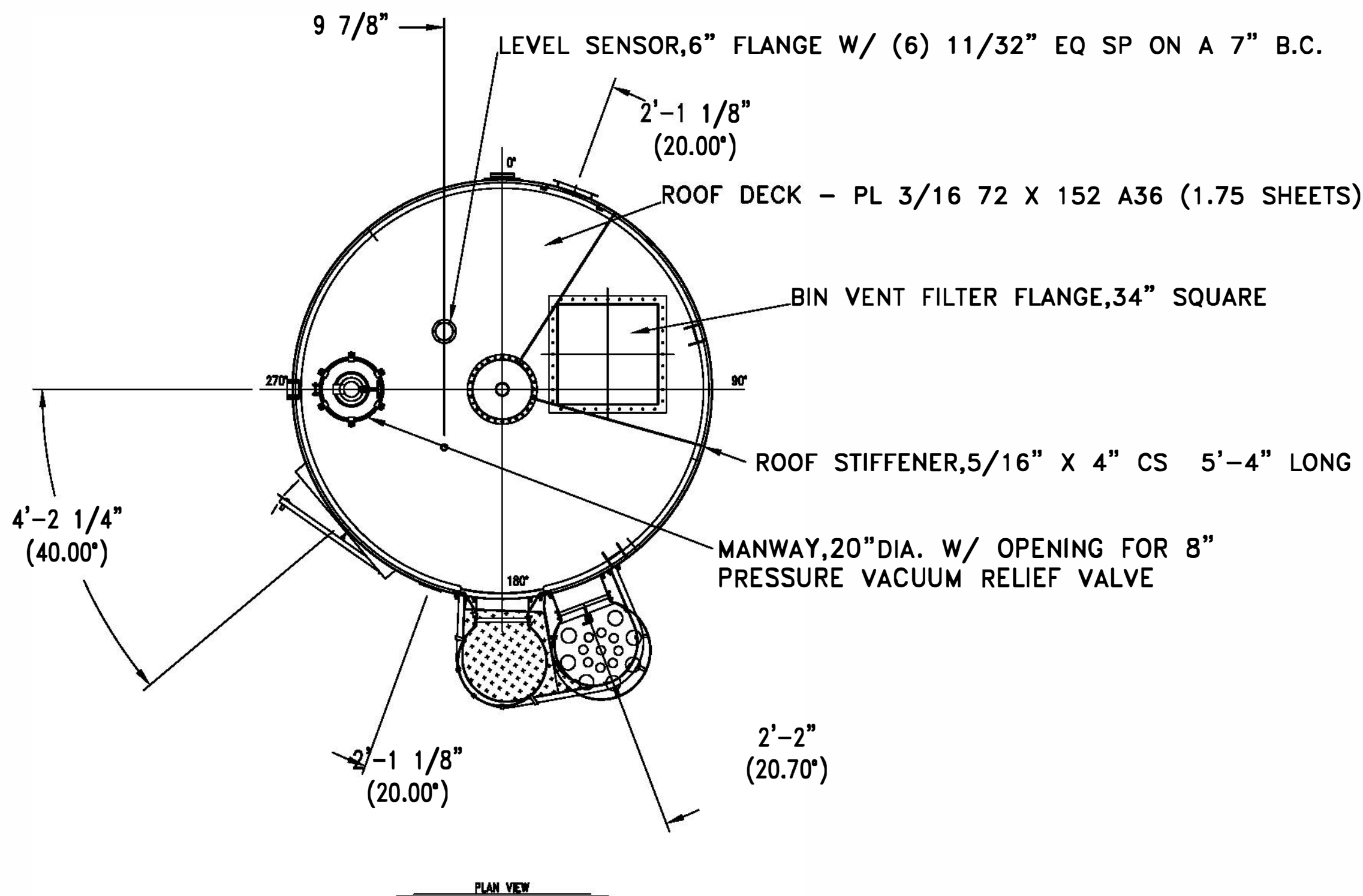
6' DIAMETER METALFAB BIN ACTIVATOR LIVE BOTTOM BIN

DOOR FRAME, 12' DIA. SINGLE LH 3'-6" X 6'-8" (HRS TANKS)
DOOR, 3'-6" X 6'-8" ALUM (LH) W/ LOUVERS AND BUG SCREEN
DOOR FRAME, RAIN GUTTER (SGL) GALV. OR ALUM.
DOOR HANDLE ASSEMBLY, SHIPPING PACKAGE

BASE RING, L3X3X3/8" 12' TANK STEEL, 180 DEG. SEG.

FOR ANCHOR BOLT LAYOUT SEE
DRAWING NO.: DWG#

ELEVATION VIEW
SCALE: 1/4" = 1'-0"
NOTE: 1. FOR TRUE ORIENTATION SEE PLAN VIEW.



MANUFACTURING TOLERANCES PER ES531
QUOTE #: QUOTE#
MATERIAL TYPE: LIME_LIMESTONE_SILO

DESIGN NOTES:	CODE
0.2 SECOND SPECTRAL RESPONSE	SEISMIC_SS%
1 SECOND SPECTRAL RESPONSE	SEISMIC_S1%
SEISMIC SITE CLASS	SOILTYPE
SEISMIC IMP. FACTOR	SEISMICFACTOR
ANALYSIS PROCEDURE EQUIVALENT	LATERAL FORCE (ELFP)
MAX. WIND SPEED	WIND MPH (EXP. C)
WIND IMPORTANCE FACTOR	WINDFACTOR
MAX. DECK LIVE LOAD	LIVELOAD PSF
MAX. MATERIAL DENSITY	DENSITY LBS/FT³
MAX. INTERNAL PRESSURE	PRESSURE PSI
MAX. INTERNAL VACUUM	VACUUM PSI
CAPACITY	CAPACITY CUBIC FOOT
SHIPPING WEIGHT	WEIGHT LBS
OPERATING WEIGHT	OPWEIGHT LBS
TEMPERATURE	TEMP °F

FOUNDATION LOADS:	
OVERTURN MOMENT	OVERTURN FT-LBS.
HORIZONTAL SHEAR	SHEAR LBS.
MAX. LOAD PER IN. OF BASE	LINEAR LBS.
MAX. LOAD PER ANCHOR BOLT	BOLT LBS.
RECOMMENDED BOLT DIA.	BOLTDIA BM

SHIPPING NOTE:
COVER ALL OPENINGS WITH SHIPPING COVERS. CAUTION:
DO NOT SEAL TANK COMPLETELY, CHANGES IN TEMPERATURE
OR ATMOSPHERIC PRESSURE MAY CAUSE DAMAGE TO TANK.