

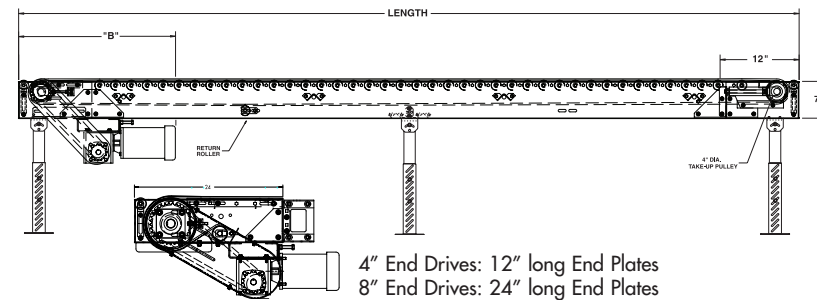
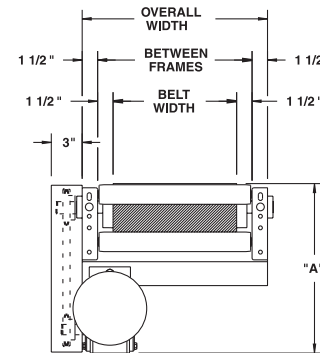
# MODEL 796RB MEDIUM DUTY ROLLER BED BELT CONVEYOR

24 HOUR SHIPMENTS INCLUDE ALL 1-FOOT INCREMENTS 5'-0" TO 100'-0"



Conveyor shown with optional supports

Model 796RB, medium duty roller bed belt conveyor, is well suited for transporting unit loads with lesser horsepower requirements than slider bed belt conveyors.



HP@ 60 FPM	"A" MAX		"B" MAX	
	4" DRV.	8" DRV.	4" DRV.	8" DRV.
1/3	16-5/8"	16-5/8"	27-3/32"	33-3/32"
1/2	16-5/8"	16-5/8"	27-3/32"	33-3/32"
3/4	17"	17"	27-23/32"	33-23/32"
1	17-1/4"	17-1/4"	28-15/32"	34-15/32"
1-1/2	18-1/8"	18-1/8"	31-3/32"	37-3/32"
2	19"	19"	32-3/32"	38-3/32"

## SPECIFICATIONS

**BELTING:** PVC-120 black.

**CARRIER ROLLERS:** 1.9" dia. x 16 ga. steel rollers, model 196S.

**DRIVE PULLEY:** 4" dia. with 1-3/16" dia. shaft or 8" dia. with 1-7/16" dia. shaft, both machine crowned and fully lagged.

**TAIL PULLEY:** 4" dia., machine crowned, with 1-3/16" dia. shaft.

**END DRIVE:** Allows one-direction (unit) operation; add optional center drive for reversible application.

**SAFETY POP-OUT ROLLER:** Standard on both ends, 1.9" dia. x 16 ga. steel roller, model 196S.

**SQUARING RODS:** Adjustable rods on underside of bed allow frame to be squared for improved belt tracking and are standard on all units over 30'.

**BED:** 7" x 1-1/2" x 12 ga. channel frame. Bed sections attached with couplings and floor supports.

**BEARINGS:** All pulley bearings are precision, heavy duty, lubricated, ball bearing units with cast iron housings.

**TAKE-UP:** Screw type unit at tail pulley provides 12" belt take-up.

**BELT SPEED:** 60 FPM, constant.

**RETURN ROLLERS:** 1.9" dia. x 16 ga. steel, model 196S, adjustable.

**ROLLER CHAIN:** Drive pulley is driven by No. 50 roller chain for 1-1/2 HP or less and No. 60 chain on larger drives. Chain take-up provided on motor base.

**MOTOR DRIVE:** 1/3 HP, 230/460/3, 60 cycle, ODP right angle gear motor.

**ELECTRICAL CONTROLS:** Optional.

### WARNING

Prevent pinch points that exist when belt conveyors are permanently attached to other conveyors or equipment!



## SPECIFICATION TABLE

50'-0" lengths and under are equipped with 4" dia. drive pulley; over 50'-0" includes 8" dia. drive pulley

■ 24 hour shipment ■ 2 week shipment

CONVEYOR LENGTH			10'	20'	30'	40'	50'	60'	70'	80'	90'	100'	Deduct
BELT	BF	OAW	UNIT WEIGHTS (lbs.) with 3" Roller Center (For other centers, deduct weights below)										Per Foot
12"	15"	18"	346	564	781	999	1217	1434	1652	1870	2087	2305	22
18"	21"	24"	413	683	953	1223	1493	1764	2034	2304	2574	2845	27
24"	27"	30"	479	802	1125	1447	1770	2093	2416	2739	3062	3384	32
30"	33"	36"	546	921	1296	1672	2047	2422	2798	3173	3549	3924	38
36"	39"	42"	612	1040	1468	1896	2324	2752	3180	3608	4036	4464	43
42"	45"	48"	679	1159	1640	2120	2601	3081	3562	4042	4523	5003	48
48"	51"	54"	745	1278	1811	2344	2877	3411	3944	4477	5010	5543	53

Deduct the following weights (lbs.) for other than 3" centers

Roller Centers	12" BELT		18" BELT		24" BELT		30" BELT		36" BELT		42" BELT		48" BELT	
	Per 5'	Per 10'	Per 5'	Per 10'	Per 5'	Per 10'	Per 5'	Per 10'	Per 5'	Per 10'	Per 5'	Per 10'	Per 5'	Per 10'
4-1/2"	-15	-30	-20	-40	-25	-50	-30	-60	-35	-70	-40	-80	-45	-90
6"	-30	-60	-40	-80	-50	-100	-60	-120	-70	-140	-80	-160	-90	-180
9"	-42	-78	-56	-104	-70	-130	-84	-156	-98	-182	-112	-208	-99	-234
12"	-45	-90	-60	-120	-75	-150	-90	-180	-105	-210	-120	-240	-135	-270

## OPTIONAL EQUIPMENT

**BELTING:** Black PVC ruff-top; 3-ply brown neoprene ruff-top; PVC-120 white food grade COS; PVC-150 black COS; 3-ply CN 40 urethane cover. Consult factory for other belting.

**CENTER DRIVE:** Reversible drive with integral belt take-up of 24". Specify location. Center drive option available 6'-0" long units & above.

**SIDE MOUNTED END DRIVE:** Provides minimum conveyor height of 10" TOB (4" dia. drive pulley); 12" TOB (8" dia. drive pulley).

**OVERHEAD END DRIVE:** Provides minimum conveyor height of 8" TOB (4" dia. drive pulley); 10" TOB (8" dia. drive pulley).

**AUXILIARY TAKE-UP:** Provides 24" of belt take-up. Specify location. See Power Accessories.

**SIDE TABLES:** Available in 9", 15" and 21" widths (14 ga.) one or both sides. See Power Accessories.

**FLOOR SUPPORTS:** Supports, knee braces, casters and polytier supports available. See Conveyor Accessories.

**CEILING HANGERS:** 5/8" dia. threaded rod with hardware to attach rods to conveyor. Provides 6' clearance between ceiling and TOB (furnished in place of floor supports). See Conveyor Accessories.

**UNDERTRUSSED BED:** Available to provide clearance underneath unit at bed joint locations. Specify location for undertrussing and desired clearance underneath unit. Consult factory.

**BELT SPEED:** Constant speed 10-120 FPM; DC variable speed; AC inverter variable speed. Other constant or variable speeds available. NOTE: CAPACITY CHANGES WITH SPEED.

**MOTORS:** Available through 3 HP in TEFC, explosion proof, dirty duty, brake motor, 115/230/1, 575/3, etc.

**NOSE-OVER:** Provides smooth transition from incline to horizontal position. Single nose-over adjusts 0-20°; double nose-over adjusts 0-35°. See Power Accessories.

**GUARD RAILS:** 1-3/4" x 1" formed channel (model GC), adjusts horizontally to 10" wider than belt and vertically to 6" above belt; formed steel fixed (model FSG in 2", 4", 6", 8", 12", and 18" heights; fixed channel (model FC); 1-1/2" angle (model GA1-1/2). See Conveyor Accessories.

**ELECTRICAL CONTROLS:** Magnetic starter (one direction or reversible); One direction manual starter; Momentary start/stop push button station; Forward/reversing /stop push button station. Mounting and pre-wiring for units up to 12' long.

