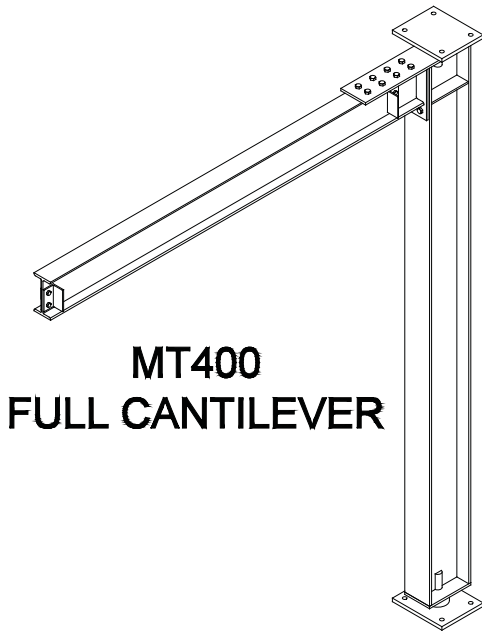


Installation, Operation, & Maintenance Manual



**MT400
FULL CANTILEVER**



**MT450
DROP CANTILEVER**

**IMPORTANT!
DO NOT DESTROY**

Mast Type Jib Crane

Gorbel® Customer Order No. / Serial No. _____

Gorbel® Dealer _____

Date _____
Month Year

TABLE OF CONTENTS

Introduction.....	1
Installation	
Step 1 - Pre-Assembly.....	1-3
Step 2 - Boom/Mast Assembly Installation.....	4
Step 3 - Endstop/Tagline Installation.....	5
Step 4 - Optional Accessories	6
Step 5 - Final Steps.....	7
Crane Operator Instructions	8
General Safety Suggestions.....	8
Warranty.....	9
Inspection and Maintenance Schedule	10

Questions? Concerns? Comments? Please call (800) 821-0086 (US and Canada) or (585) 924-6262 (outside US).

INTRODUCTION

Thank you for choosing a Gorbel® Mast Type Jib Crane to solve your material handling needs. The innovative design and heavy duty construction of Gorbel® Mast Type Jib Cranes provide a superior quality product and offer years of long term value. The hoist and trolley weight allowance is 15% of the crane capacity (for example, a crane rated for 1000 pounds allows for a 1000-pound live load, plus 150 pounds for the weight of the hoist and trolley). There is also an allowance of 25% of the crane capacity for impact caused by the hoist use. Gorbel® Jib Cranes will provide many years of dependable service by following the installation and maintenance procedures described herein.

Dimensions contained in this installation manual are for reference only and may differ for your particular application.

Normal safety precautions: These include, but are not limited to:

- Checking for obstructions in crane rotation
- Checking that all bolts are tight and have lockwashers
- Making sure that endstops are in place
- Making sure that festooning cannot be snagged or pinched

For additional safety precautions see page 8.

WARNING

Only competent erection personnel familiar with standard fabrication practices should be employed to assemble these cranes because of the necessity of properly interpreting these instructions. Gorbel is not responsible for the quality of workmanship employed in the installation of a crane according to these instructions. Contact Gorbel, Inc., at 600 Fishers Run, P.O. Box 593, Fishers, New York 14453-0593, 1-585-924-6262, for additional information if necessary.

WARNING

Equipment described herein is not designed for, and should not be used for, lifting, supporting or transporting humans. Failure to comply with any one of the limitations noted herein can result in serious bodily injury and/or property damage. Check Federal, State and Local regulations for any additional requirements.

WARNING

Reference the American Institute of Steel Construction (AISC) manual of steel construction (9th edition), Part 5, Specification for Structural Joints using ASTM A325 or A490 Bolts (section 8.d.2) for proper procedures to follow when using any torque tightening method.

INSTALLATION

STEP 1 - PRE-ASSEMBLY

➔ **TIP:** Packing list can be found in plastic pocket attached to hardware box.

- 1.1 Read entire manual **before** beginning installation of crane.
- 1.2 Check packing list to ensure that no parts are missing prior to initializing assembly of crane.
- 1.3 Tools and materials (by others) often needed to assemble crane are as follows:

- Torque wrench
- Leveling tools and plumb bob
- Hand tools
- Lifting device to lift heavy booms
- Steel shims
- Mounting hardware (by others, grade 5 bolts or better)

1.4 Determine:

- Thrust and pull (**diagram 1A**, on page 2, and **chart 1A**)

WARNING

Consult a qualified structural engineer to determine if your support structure is adequate to support the thrust and pull of your crane.

- Bolt pattern and dimensions (**diagrams 1B** and **chart 1B**, on page 3)

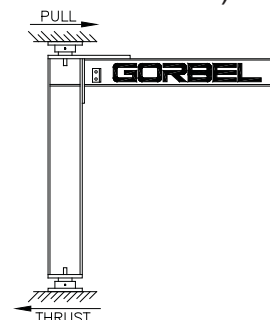


Diagram 1A. Thrust and pull definition.

STEP 1 - PRE-ASSEMBLY (CONTINUED)

Capacity	Overall Height	Span						
		8'	10'	12'	14'	16'	18'	20'
1/4 ton	10'	0.60	0.80	0.95	1.20	1.32	1.70	1.90
	12'	0.50	0.64	0.79	0.97	1.10	1.39	1.59
	14'	0.43	0.55	0.68	0.83	0.94	1.19	1.36
	16'	0.38	0.48	0.59	0.73	0.83	1.04	1.20
	18'	0.33	0.43	0.53	0.65	0.74	0.93	1.06
	20'	0.30	0.39	0.48	0.58	0.66	0.84	0.96
1/2 ton	10'	1.16	1.48	1.81	2.21	2.57	3.04	3.44
	12'	0.97	1.23	1.51	1.84	2.14	2.53	2.87
	14'	0.83	1.06	1.29	1.58	1.84	2.17	2.46
	16'	0.73	0.93	1.13	1.38	1.61	1.90	2.15
	18'	0.65	0.82	1.00	1.23	1.43	1.69	1.91
	20'	0.58	0.74	0.91	1.11	1.29	1.52	1.72
1 ton	10'	2.30	2.93	3.54	4.23	4.89	5.49	6.22
	12'	1.92	2.44	2.95	3.53	4.08	4.57	5.18
	14'	1.64	2.09	2.53	3.02	3.49	3.92	4.44
	16'	1.44	1.83	2.21	2.64	3.06	3.43	3.88
	18'	1.28	1.63	1.97	2.35	2.72	3.05	3.46
	20'	1.15	1.47	1.77	2.12	2.45	2.74	3.11
1-1/2 ton	10'	3.44	4.33	5.27	5.90	6.88	7.95	8.98
	12'	2.87	3.61	4.39	4.92	5.73	6.63	7.48
	14'	2.46	3.09	3.76	4.22	4.91	5.68	6.41
	16'	2.15	2.71	3.29	3.69	4.30	4.97	5.61
	18'	1.91	2.41	2.93	3.28	3.82	4.42	4.98
	20'	1.72	2.17	2.64	2.95	3.44	3.98	4.49
2 ton	10'	4.56	5.76	6.48	7.72	9.04	10.33	12.52
	12'	3.80	4.80	5.40	6.43	7.53	8.61	10.43
	14'	3.26	4.11	4.63	5.52	6.46	7.38	8.94
	16'	2.85	3.60	4.05	4.83	5.65	6.46	7.83
	18'	2.53	3.20	3.60	4.29	5.02	5.74	6.96
	20'	2.28	2.88	3.24	3.86	4.52	5.17	6.26
3 ton	10'	6.82	7.79	9.56	11.41	14.29	16.19	18.40
	12'	5.68	6.49	7.97	9.51	11.91	13.49	15.33
	14'	4.87	5.56	6.83	8.15	10.21	11.56	13.14
	16'	4.26	4.87	5.98	7.13	8.93	10.12	11.50
	18'	3.79	4.33	5.31	6.34	7.94	8.99	10.22
	20'	3.41	3.89	4.78	5.70	7.15	8.10	9.20
5 ton	10'	9.96	12.85	17.28	20.25	23.42	26.50	29.60
	12'	8.30	10.71	14.40	16.88	19.52	22.10	24.67
	14'	7.11	9.18	12.34	14.46	16.70	18.93	21.14
	16'	6.23	8.03	10.80	12.66	14.64	16.56	18.50
	18'	5.53	7.14	9.60	11.25	13.01	14.72	16.44
	20'	4.98	6.43	8.64	10.13	11.71	13.25	14.80

Chart 1A. Thrust and pull in kips.

STEP 1 - PRE-ASSEMBLY (CONTINUED)

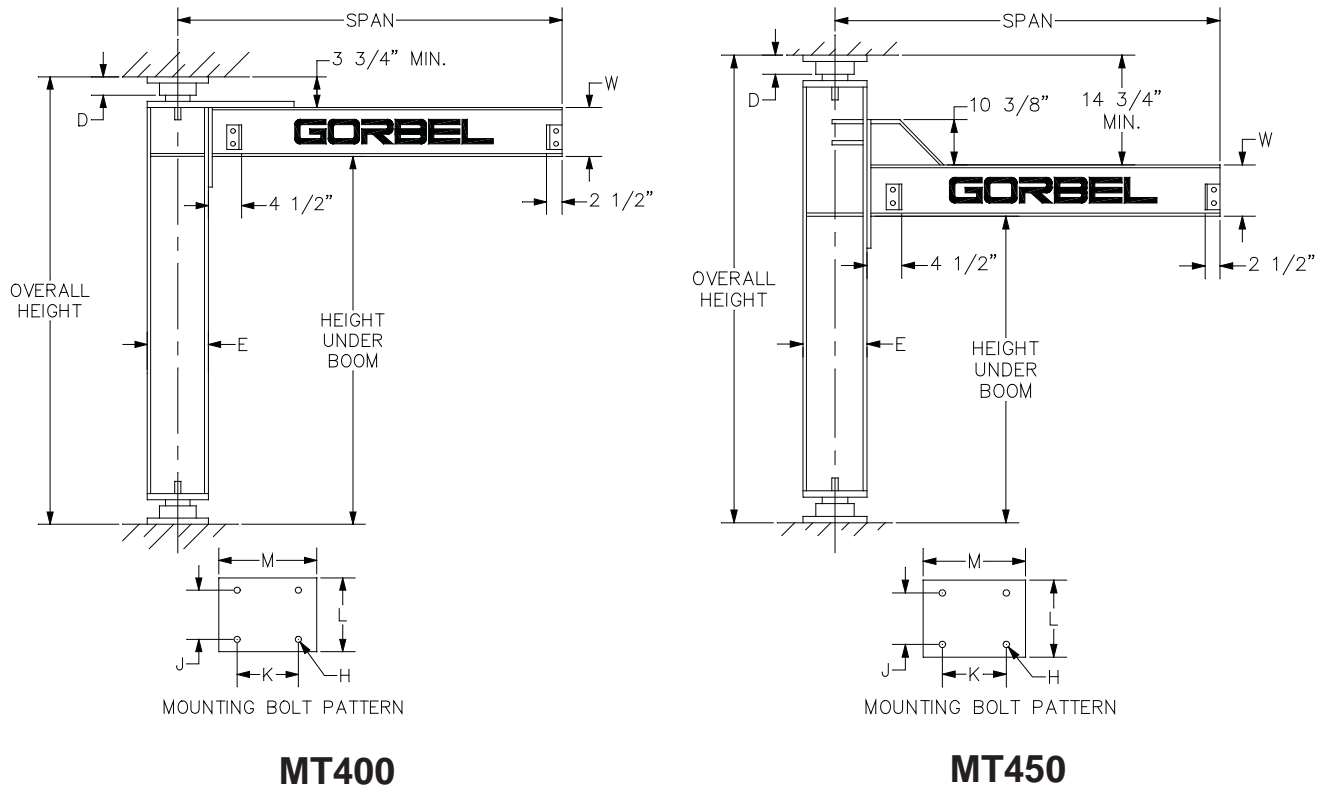


Diagram 1B.

Note: For E and W dimensions, reference your crane's model number.

PIVOT NO.	D	H	J	K	L	M
15	2-3/4"	13/16"	7"	9"	10"	12"
20	3-1/4"	13/16"	7"	10"	10"	13"
25	3-3/4"	13/16"	9"	12"	12"	15"

Chart 1B.

STEP 2 - BOOM/MAST ASSEMBLY INSTALLATION

TIP: Upper and lower pivot bearing assemblies are identical.

- 2.1 Locate top pivot bearing assembly and bottom pivot bearing assembly in the desired location (bolts by others). Make sure the pivot bearing assemblies are in line and plumb through pivot pin holes in the bearings (**diagram 2A**).
- 2.2 If using optional rotation stops, execute step A of the rotation stops section on page 6 before proceeding to next step.
- 2.3 Place the top and bottom pivot assemblies onto the top pivot pin and bottom pivot pin of the mast. Be sure the thrust washer is between the mast and bottom pivot bearing (**diagram 2B**). Take the entire mast assembly with pivot bearing assemblies and raise them into position. Bolt the top pivot assembly to the overhead support and the bottom pivot assembly to the floor support. One-half inch (1/2") clearance should be allowed between top fitting and overhead support to ease installation and for shimming if required.
- 2.4 **For a MT400:** Bolt boom to mast using bolts for the top of boom and bolts for mast connection plate using hardware provided (**diagram 2C**).
For a MT450: Bolt boom to mast using hardware provided (**diagram 2D**).

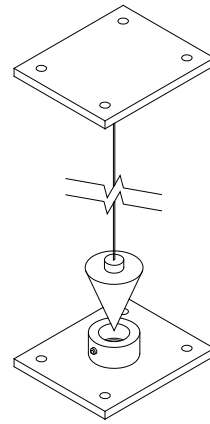


Diagram 2A. Plumbing the pivot bearing assemblies.

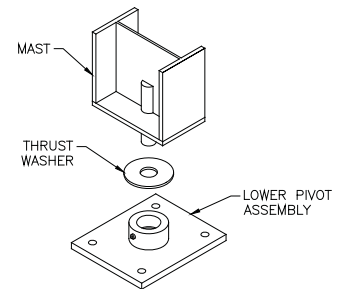


Diagram 2B. Installing pivot assembly on pivot pin.

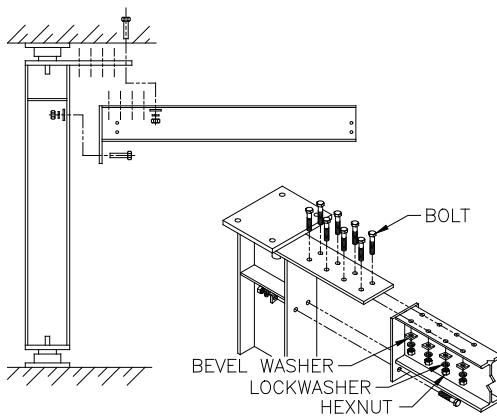


Diagram 2C. Bolting MT400 boom to mast.

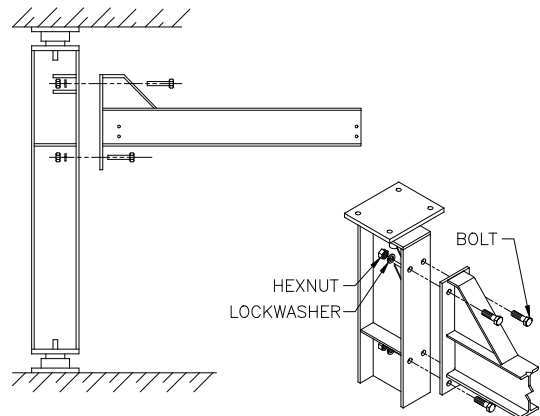


Diagram 2D. Bolting MT450 boom to mast.

- 2.5 Level boom to a point of 1/300 of span (in inches) above level. Shim, if necessary, between mast and back of boom plate (shims by others). Make sure that shim has full contact at connection and that there are no voids. Torque nuts (**chart 2A**).
- 2.6 Tighten mounting bolts (grade 5 or better) to manufacturer's specifications.

TORQUE CHART	
Bolt Dia.	Torque
1/2"	50 ft.-lbs.
5/8"	95 ft.-lbs.
3/4"	175 ft.-lbs.
7/8"	300 ft.-lbs.
1"	450 ft.-lbs.

Chart 2A. Torque Ratings.

STEP 3 - ENDSTOP/TAGLINE INSTALLATION

3.1 Endstop

- A) Bolt endstops to end of boom closest to mast (**diagram 3A**).
- B) Roll hoist trolley (by others) into place.
- C) Bolt remaining endstops into place at the front of boom (**diagram 3A**).
- D) Torque nuts (refer to **chart 2A**, page 4, for proper torque rating).

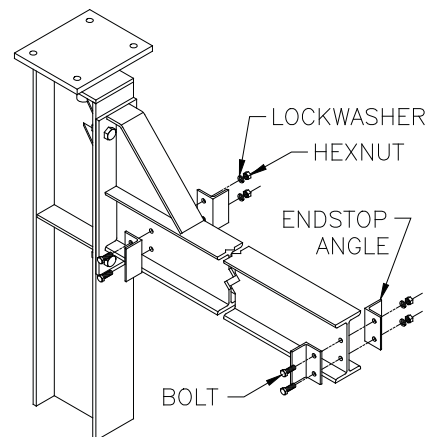


Diagram 3A. Endstop installation.

3.2 Tagline Assembly

- A) Bolt tagline bracket and an endstop to end of boom closest to mast (**diagram 3B**).
- B) Roll hoist trolley (by others) into place.
- C) Bolt remaining tagline bracket and endstop into place at the front of the boom (**diagram 3B**). Torque nuts (refer to **chart 2A**, page 4, for proper torque rating).
- D) Bolt eyebolt to the tagline brackets. Be sure the eyes of the eyebolts are oriented toward each other.
- E) Run wire rope between eyebolts and clamp to form a loop at each end. Tighten eyebolts so wire rope is taught.
- F) Add “S” hooks to wire rope and squeeze closed the top of the “S” hook.
- G) Space “S” hooks evenly along wire rope and place round power cable/air hose through bottom loop of the “S” hooks.
- H) Squeeze bottom of “S” hook to grip wire, or tape wire in place. Do not squeeze too tightly or damage may occur to power cable or air hose.

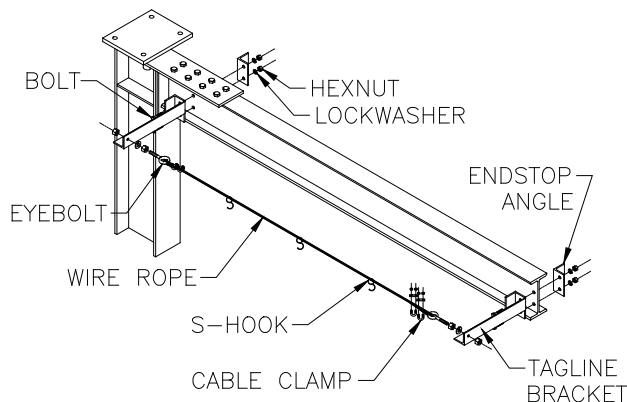


Diagram 3B. Tagline assembly installation.

STEP 4 - OPTIONAL ACCESSORIES

➔ **TIP:** Consult your GORBEL® representative for details.

4.1 Rotation Stops

- A) Prior to mast installation: Locate rotating stop block. Weld stop block to under side of mast bottom plate using E70xx electrodes, per AWS D1.1 specifications (**diagram 4A**).
- B) Swing boom to the farthest position of use in one direction.
- C) Place stationary stop block on lower pivot assembly against the rotating stop block.
- D) Weld stationary stop block to lower pivot assembly using E70xx electrodes, per AWS D1.1 specifications (**diagram 4B**).
- E) Repeat Steps A-D for opposite direction.
- F) Touch up with paint provided.

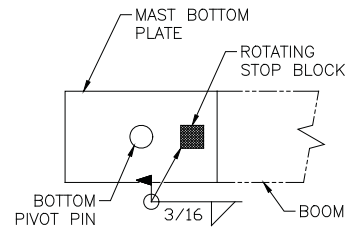


Diagram 4A. Rotating stop block installation.

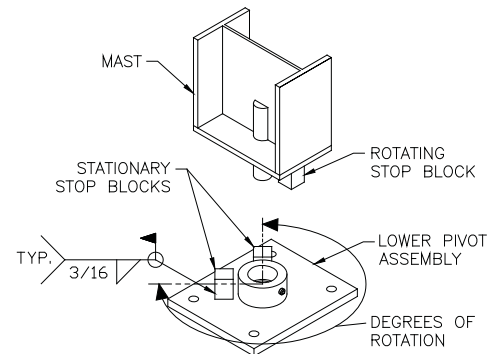


Diagram 4B. Stationary stop block installation.

4.2 Bottom Entry Collector

- A) Connect wires through the pivot pin to the collector wires (**diagram 4C**).
- B) Place connector over the top of the pivot pin making sure the connected wires are pushed down inside the pivot pin.
- C) Lock the connector in place by tightening the set screws at the base of the collector.
- D) Connect the collector to the stabilizer bolt mounted in the mast assembly.
- E) Add appropriate size hole in the collector cover to allow installation of hoist power cable to collector.
- F) Attach collector cover with mounting hardware provided.

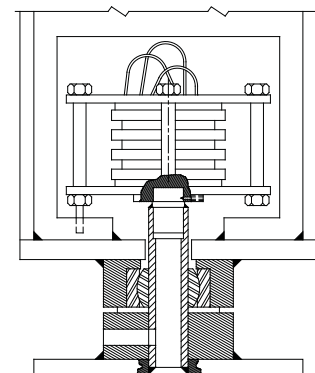


Diagram 4C. Bottom entry collector installation.

Other Options

- Flat Wire Conductor Cable
- Flat Wire Cord Grip Connectors
- Wire Rope Trolleys for Flat or Round Cable
- Fusible Disconnect Switch
- Powered Rotation

STEP 5 - FINAL STEPS

➡ **TIP:** Do not throw away this manual: maintenance schedule is on the back cover.

- 5.1 Check to make sure all bolts are tight, nuts are properly torqued, and lockwashers are compressed.
- 5.2 Grease all fittings (use Lubriplate #630-AA or equivalent).
- 5.3 If necessary, touch up crane with paint provided.
- 5.4 Keep Packing List, Installation Manual, General Arrangement Drawing, and any other inserts filed together in safe place.

CRANE OPERATOR INSTRUCTIONS

Overhead cranes and jib cranes generally handle materials over working areas where there are personnel. Therefore, it is important for the Crane Operator to be instructed in the use of the crane and to understand the severe consequences of careless operation.

It is not intended that these suggestions take precedence over existing plant safety rules and regulations or OSHA regulations. However, a thorough study of the following information should provide a better understanding of safe operation and afford a greater margin of safety for people and machinery on the plant floor.

It must be recognized that these are suggestions for the Crane Operator's use. It is the responsibility of the owner to make personnel aware of all federal, state and local rules and codes, and to make certain operators are properly trained.

Qualifications

Crane operation, to be safe and efficient, requires skill: the exercise of extreme care and good judgment, alertness and concentration, and rigid adherence to proven safety rules and practices as outlined in applicable and current ANSI and OSHA safety standards. In general practice, no person should be permitted to operate a crane:

- Who cannot speak the appropriate language or read and understand the printed instructions.
- Who is not of legal age to operate this type of equipment.
- Whose hearing or eyesight is impaired (unless suitably corrected with good depth perception).
- Who may be suffering from heart or other ailments which might interfere with the operator's safe performance.
- Unless the operator has carefully read and studied this operation manual.
- Unless the operator has been properly instructed.
- Unless the operator has demonstrated his instructions through practical operation.
- Unless the operator is familiar with hitching equipment and safe hitching equipment practices.

Handling the Jib Boom Motion

Before using the boom of the jib crane, the operator should be sure the hook is high enough to clear any obstruction. Before a load is handled by the crane, the jib boom should be brought into position so that it is directly over the load. Start the jib boom slowly and bring it up to speed gradually. Approaching the place where it is desired to stop the jib, reduce the boom speed.

Handling the Trolley Motion

Before a load is handled, the hoist should be positioned directly over the load that is to be handled. When the slack is taken out of the slings, if the hoist is not directly over the load, bring it directly over the load before hoisting is continued. Failure to center the hoist over the load may cause the load to swing upon lifting. Always start the trolley motion slowly and reduce the trolley speed gradually.

Handling the Hoist Motion

Refer to the lifting (hoist) equipment's operating instructions.

GENERAL SUGGESTIONS

Know Your Crane

Crane operators should be familiar with the principal parts of a crane and have a thorough knowledge of crane control functions and movements. The crane operator should be required to know the location and proper operation of the main conductor disconnecting means for all power to the attachments on the crane.

Responsibility

Each crane operator should be held directly responsible for the safe operation of the crane. Whenever there is any doubt as to SAFETY, the crane operator should stop the crane and refuse to handle loads until: (1) safety has been assured or (2) the operator has been ordered to proceed by the supervisor, who then assumes all responsibility for the SAFETY of the lift.

Do not permit **ANYONE** to ride on the hook or a load.

Inspection

Test the crane movement and any attachments on the crane at the beginning of each shift. Whenever the operator finds anything wrong or apparently wrong, the problem should be reported immediately to the proper supervisor and appropriate corrective action taken.

Operating Suggestions

One measure of a good crane operator is the smoothness of the crane operation. The good crane operator should know and follow these proven suggestions for safe, efficient crane handling.

1. The crane should be moved smoothly and gradually to avoid abrupt, jerky movements of the load. Slack must be removed from the sling and hoisting ropes before the load is lifted.
2. Center the crane over the load before starting the hoist to avoid swinging the load as the lift is started. Loads should not be swung by the crane to reach areas not under the crane.
3. Crane-hoisting ropes should be kept vertical. Cranes shall not be used for side pulls.
4. Be sure everyone in the immediate area is clear of the load and aware that a load is being moved.
5. Do not make lifts beyond the rated load capacity of the crane, sling chains, rope slings, etc.
6. Make certain that before moving the load, load slings, load chains, or other lifting devices are fully seated in the saddle of the hook with hook latch closed (if equipped with hook latch).
7. Check to be sure that the load and/or bottom block is lifted high enough to clear all obstructions when moving boom or trolley.
8. At no time should a load be left suspended from the crane unless the operator has the push button with the power on, and under this condition keep the load as close as possible to the floor to minimize the possibility of an injury if the load should drop. When the crane is holding a load, the crane operator should remain at the push button.
9. Do not lift loads with sling hooks hanging loose. If all sling hooks are not needed, they should be properly stored, or use a different sling.
10. All slings or cables should be removed from the crane hooks when not in use (dangling cables or hooks hung in sling rings can inadvertently snag other objects when the crane is moving).
11. Operators shall not carry loads and/or empty bottom blocks over personnel. Particular additional caution should be practiced when using magnet or vacuum devices. Loads, or parts of loads, held magnetically could drop. Failure of power to magnets or vacuum devices can result in dropping the load. Extra precaution should be exercised when handling molten metal in the proximity of personnel.
12. Whenever the operator leaves the crane the following procedure should be followed:
 - Raise all hooks to an intermediate position.
 - Spot the crane at an approved designated location.
 - Place all controls in the "off" position.
 - Open the main switch to the "off" position.
 - Make visual check before leaving the crane.
13. In case of emergency or during inspection, repairing, cleaning or lubrication, a warning sign or signal should be displayed and the main switch should be locked in the "off" position. This should be done whether the work is being done by the crane operator or by others.
14. Contact with rotation stops or trolley end stops shall be made with extreme caution. The operator should do so with particular care for the safety of persons below the crane, and only after making certain that any persons on the other cranes are aware of what is being done.
15. **ANY SAFETY FEATURES AND MECHANISMS BUILT-IN OR OTHERWISE PROVIDED WITH THE CRANE BY GORBEL ARE REQUIRED FOR THE SAFE OPERATION OF THE CRANE. DO NOT, UNDER ANY CIRCUMSTANCES, REMOVE OR OTHERWISE IMPAIR OR DISABLE THE PROPER FUNCTIONING OF ANY CRANE SAFETY MECHANISMS OR FEATURES BUILT-IN OR OTHERWISE PROVIDED BY GORBEL FOR SAFE OPERATION OF THE CRANE. ANY REMOVAL, IMPAIRMENT OR DISABLING OF ANY SUCH SAFETY MECHANISMS OR FEATURES OR OTHER USE OR OPERATION OF THE CRANE WITHOUT THE COMPLETE AND PROPER FUNCTIONING OF ANY SUCH SAFETY MECHANISMS OR FEATURES AUTOMATICALLY AND IMMEDIATELY VOIDS ANY AND ALL EXPRESS AND IMPLIED WARRANTIES OF ANY KIND OR NATURE.**

LIMITED WARRANTY

It is agreed that the equipment purchased hereunder is subject to the following LIMITED warranty and no other. Gorbel Incorporated ("Gorbel") warrants the manual push-pull Work Station Cranes, Jib Crane, and Gantry Crane products to be free from defects in material or workmanship for a period of ten years or 20,000 hours use from date of shipment. Gorbel warrants the Motorized Work Station Cranes and Jib Crane products to be free from defects in material or workmanship for a period of two years or 4,000 hours use from the date of shipment. Gorbel warrants the G-Force® and Easy Arm™ products to be free from defects in material or workmanship for a period of one year or 2,000 hours use from the date of shipment. This warranty does not cover Gantry Crane wheels. This warranty shall not cover failure or defective operation caused by operation in excess of recommended capacities, misuses, negligence or accident, and alteration or repair not authorized by Gorbel. No system shall be field modified after manufacture without the written authorization of Gorbel, Inc. Any field modification made to the system without the written authorization of Gorbel, Inc. shall void Gorbel's warranty obligation. OTHER THAN AS SET FORTH HEREIN, NO OTHER EXPRESS WARRANTIES, AND NO IMPLIED WARRANTIES, ORAL OR WRITTEN, INCLUDING BUT NOT LIMITED TO THE WARRANTIES OF MERCHANTABILITY OR FITNESS FOR A PARTICULAR PURPOSE, ARE MADE BY GORBEL WITH RESPECT TO ITS PRODUCTS AND ALL SUCH WARRANTIES ARE HEREBY SPECIFICALLY DISCLAIMED. GORBEL SHALL NOT BE LIABLE UNDER ANY CIRCUMSTANCES FOR ANY INCIDENTAL, SPECIAL AND/OR CONSEQUENTIAL DAMAGES WHATSOEVER, WHETHER OR NOT FORESEEABLE, INCLUDING BUT NOT LIMITED TO DAMAGES FOR LOST PROFITS AND ALL SUCH INCIDENTAL, SPECIAL AND/OR CONSEQUENTIAL DAMAGES ARE HEREBY ALSO SPECIFICALLY DISCLAIMED. Gorbel's obligation and Purchaser's or end user's sole remedy under this warranty is limited to the replacement or repair of Gorbel's products at the factory, or at the discretion of Gorbel, at a location designated by Gorbel. Purchaser or end user shall be solely responsible for all freight and transportation costs incurred in connection with any warranty work provided by Gorbel hereunder. Gorbel will not be liable for any loss, injury or damage to persons or property, nor for damages of any kind resulting from failure or defective operation of any materials or equipment furnished hereunder. Components and accessories not manufactured by Gorbel are not included in this warranty. Purchaser's or end user's remedy for components and accessories not manufactured by Gorbel is limited to and determined by the terms and conditions of the warranty provided by the respective manufacturers of such components and accessories.

A) DISCLAIMER OF IMPLIED WARRANTY OF MERCHANTABILITY

Gorbel and Purchaser agree that the implied warranty of merchantability is excluded from this transaction and shall not apply to the goods involved in this transaction.

B) DISCLAIMER OF IMPLIED WARRANTY OF FITNESS FOR PARTICULAR PURPOSE

Gorbel and Purchaser agree that the implied warranty of fitness for particular purpose is excluded from this transaction and shall not apply to the goods involved in this transaction.

C) DISCLAIMER OF EXPRESS WARRANTY

Gorbel's agents, or dealer's agents, or distributor's agents may have made oral statements about the machinery and equipment described in this transaction. Such statements do not constitute warranties, and Purchaser agrees not to rely on such statements. Purchaser also agrees that such statements are not part of this transaction.

D) DISCLAIMER OF SPECIAL, INCIDENTAL AND CONSEQUENTIAL DAMAGES

Gorbel and Purchaser agree that any claim made by Purchaser which is inconsistent with Gorbel's obligations and the warranty remedies provided with Gorbel's products, and in particular, special, incidental and consequential damages, are expressly excluded.

E) DEALER OR DISTRIBUTOR NOT AN AGENT

Gorbel and Purchaser agree that Purchaser has been put on notice that dealer or distributor is not Gorbel's agent in any respect for any reason. Gorbel and Purchaser also agree that Purchaser has been put on notice that dealer or distributor is not authorized to incur any obligations or to make any representations or warranties on Gorbel's behalf other than those specifically set forth in Gorbel's warranty provided in connection with its product.

F) MERGER

This warranty agreement constitutes a final and complete written expression of all the terms and conditions of this warranty and is a complete and exclusive statement of those terms.

G) PAINTING

Every crane (excluding components) receives a quality paint job before leaving the factory. Unfortunately, no paint will protect against the abuses received during the transportation process via common carrier. We have included at least one (1) twelve ounce spray can for touchup with each crane ordered (unless special paint was specified). If additional paint is required, contact a Gorbel® Customer Service Representative at 1-800-821-0086 or 1-585-924-6262.

Title and Ownership:

Title to the machinery and equipment described in the foregoing proposal shall remain with Gorbel and shall not pass to the Purchaser until the full amount herein agreed to be paid has been fully paid in cash.

Claims and Damages:

Unless expressly stated in writing, goods and equipment shall be at Purchaser's risk on and after Seller's delivery in good shipping order to the Carrier. Gorbel shall in no event be held responsible for materials furnished or work performed by any person other than it or its authorized representative or agent.

Cancellations:

If it becomes necessary for the purchaser to cancel this order wholly or in part, he shall at once so advise Gorbel in writing. Upon receipt of such written notice all work will stop immediately. If the order entails only stock items, a flat restocking charge of 15% of the purchase price will become due and payable by Purchaser to Gorbel. Items purchased specifically for the canceled order shall be charged for in accordance with the cancellation charges of our supplier plus 15% for handling in our factory. The cost of material and/or labor expended in general fabrication for the order shall be charged for on the basis of total costs to Gorbel up to the time of cancellation plus 15%.

Returns:

No equipment, materials or parts may be returned to Gorbel without express permission in writing to do so.

Extra Charge Delay: If Purchaser delays or interrupts progress of Seller's performance, or causes changes to be made, Purchaser agrees to reimburse Gorbel for expense, if any, incident to such delay.

Changes and Alterations:

Gorbel reserves the right to make changes in the details of construction of the equipment, as in its judgment, will be in the interest of the Purchaser; will make any changes in or additions to the equipment which may be agreed upon in writing by the Purchaser; and Gorbel is not obligated to make such changes in products previously sold any customer.

Third Party Action:

Should Gorbel have to resort to third party action to collect any amount due after thirty (30) days from date of invoice, the Purchaser agrees to pay collection costs, reasonable attorney's fees, court costs and legal interest.

OSHA Responsibilities:

Gorbel agrees to fully cooperate with Purchaser in the design, manufacture or procurement of safety features or devices that comply with OSHA regulations. In the event additional equipment or labor shall be furnished by Gorbel, it will be at prices and standard rates then in effect, or as may be mutually agreed upon at the time of the additional installation.

Equal Employment Opportunity:

Gorbel agrees to take affirmative action to ensure equal employment opportunity for all job applicants and employees without regard to race, color, age, religion, sex, national origin, handicap, veteran, or marital status. Gorbel agrees to maintain non-segregated work facilities and comply with rules and regulations of the Secretary of Labor or as otherwise provided by law or Executive Order.

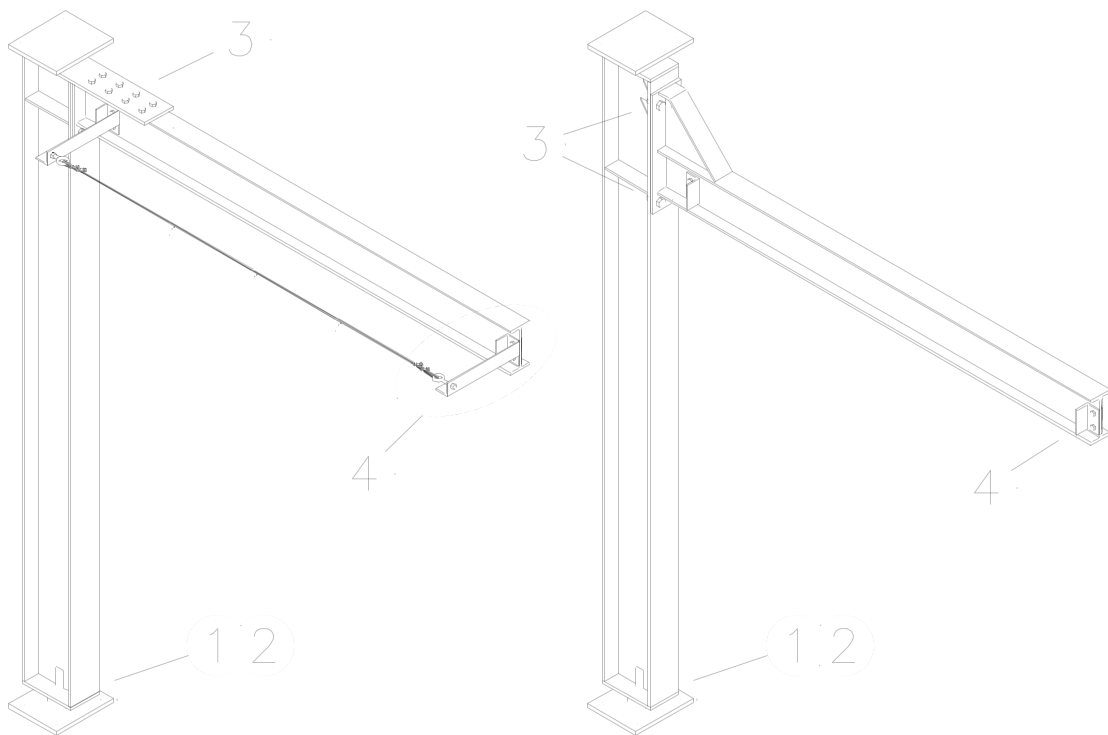
INSPECTION AND MAINTENANCE

GORBEL® MAST TYPE JIB CRANE INSPECTION AND MAINTENANCE SCHEDULE			
ITEM	COMPONENT	MAINTENANCE	FREQUENCY*
1	Mounting Bolts	Check that lockwashers are compressed and nuts are tightened to manufacturer's specifications.	Every 500 hours or 3 months
2	Pivot Assemblies	Check thrust washer for wear and that lockwashers are compressed. Grease fitting (use Lubriplate #630-AA or equiv.)	Every 1000 hours or 6 months
3	Bolted Connection	Check that lockwashers are compressed and nuts are tightened to torque specifications (chart 2A, page 4).	Every 500 hours or 3 months
4	Endstops or Tagline Assemblies	Check that lockwashers are compressed and nuts are tightened to torque specifications (chart 2A, page 4).	Every 500 hours or 3 months
5	Accessory Items	Conduct a general inspection of all accessory items.	Every 1000 hours or 6 months
6	Gorbel® Crane	Conduct a visual inspection of mast type jib crane.	Every 1000 hours or 6 months

*Federal, state and local codes may require inspection and maintenance checks more often. Please check the federal, state and local code manuals in your area.

WARNING

Any changes in rolling effort or unusual noises must be immediately identified and corrected.



GORBEL®
A CLASS ABOVE

600 Fishers Run, P.O. Box 593
Fishers, NY 14453-0593
Phone: (800) 821-0086
Fax: (800) 828-1808
E-Mail: info@gorbel.com
http://www.gorbel.com

© 2014 Gorbel Inc.
All Rights Reserved

LinkedIn
linkedin.com/company/gorbel

f Facebook
facebook.com/gorbelinc

YouTube
youtube.com/gorbelmarketing

Twitter
twitter.com/gorbelinc

RSS
gorbel.com/blog

GORBEL®
A CLASS ABOVE