



Mechline Pro 50

Ergonomic wire balancer

Flexible and easy to manoeuver

Mechline Pro is an easily manoeuvred pneumatic wire balancer for loads up to 50 kg. The Mechline lifting wire is extremely durable and can be used for up to 300,000 work cycles. With a frequent use of 200 operating cycles* per day, this gives a life span of 1500 working days - that is over five years!

Easy to integrate

Mechline Pro is very light-weight and provides a lifting stroke of up to 2 meter. It is preferably installed in a rail system or on a wall- or pillarmounted crane. The swivel is advantageously integrated with a pneumatic gripper and its controls. Even a simple mechanical gripper tool allows easy and ergonomic handling.

Anti-jump included

Mechline Pro is in its standard version equipped with an adjustable anti-jump function that locks the lifting motion in the event of uncontrolled lifting, for example, if the load is accidentally dropped. This provides a safe working environment for the operator.

Multiple versions available

With Mechline Pro, the operator can handle the load seemingly weightless; with an integrated control unit for various loads or a separate actuator for the selection of up to three different loads.

Wide range of applications

Typical applications for Mechline Pro is lifting work at assembly stations within the manufacturing industry, as well as material handling at transport and conveyor lines.

”

The wire is extremely durable and can be used for up to 300,000 work cycles*!

”

Mechline Pro 50

Balanced 2-weight

Handling of one balanced load; with an external actuator the operator selects "Load" or "Without load".

Balanced 3-weight

Handling of two balanced loads; with external actuator the operator selects "Load 1", "Load 2", or "Without load".

Direct control

A precise and smooth handling of varying loads with a control unit. A convenient speed handle is available as standard control unit.

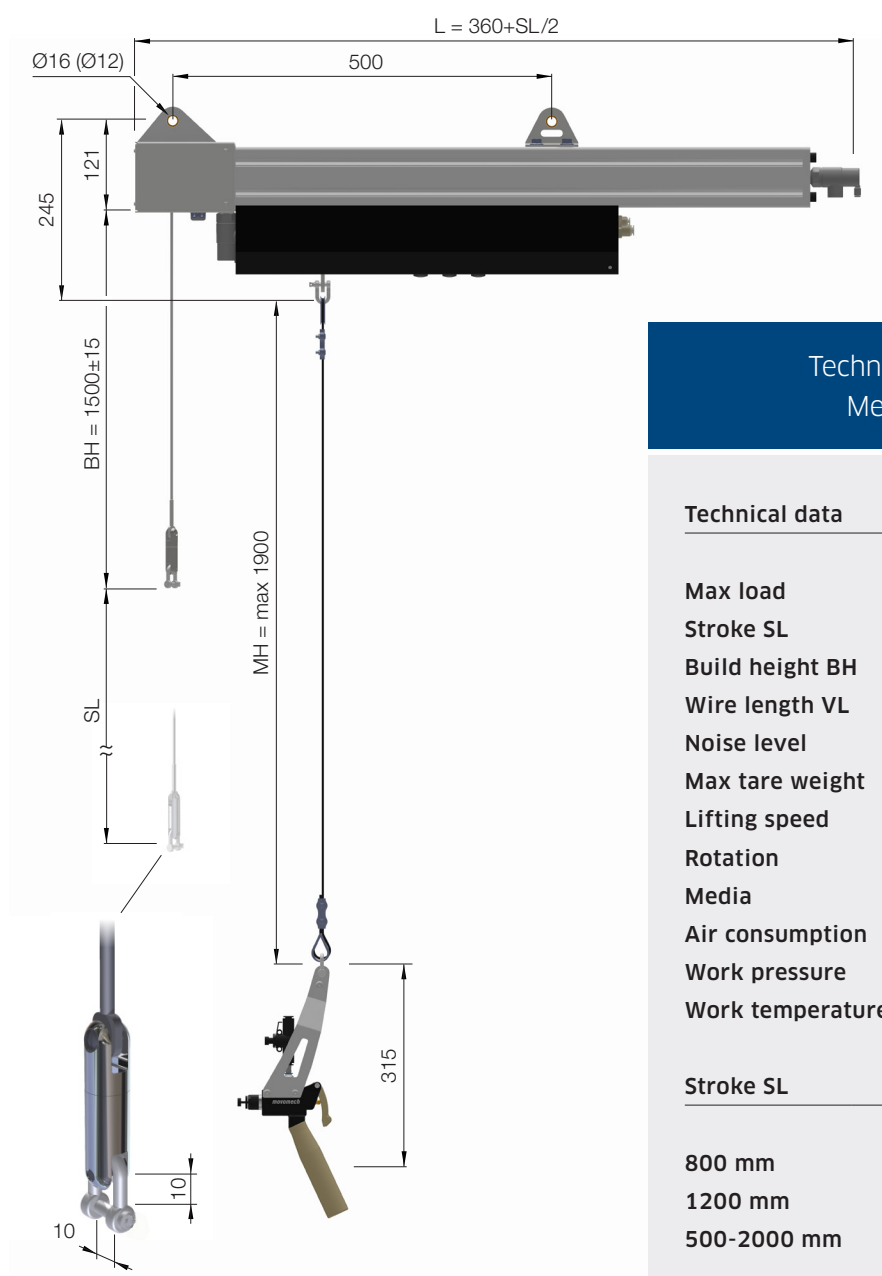
Slow speed function

The 2-weight and 3-weight pneumatic versions can be equipped with a slow speed function for a controlled lowering motion. Functional conditions are configured by the customer, and depend on the specific application.

Load guard

The direct control version can be equipped with a load guard function. It is configured by the customer; e.g. to only allow activation of the release function if the gripper tool is unloaded. (For loads over 10 kg.)

For other configurations, please contact Movomech.



Technical specification Mechline Pro 50

Technical data	Mechline Pro 50
Max load	50 kg (at 5 bar)
Stroke SL	500-2000 mm
Build height BH	300-2000 ±15 mm
Wire length VL	SL+BH+470 mm
Noise level	<70 dB (A)
Max tare weight	15 kg
Lifting speed	0-40 m/min
Rotation	0-360°
Media	Air, non-lubricated; 0.3 µm
Air consumption	7.8 l _n /m _{SL}
Work pressure	5 bar
Work temperature	5-40 °C (indoor use)
Stroke SL	Air consumption per cycle
800 mm	6.2 l _n
1200 mm	9.4 l _n
500-2000 mm	(SL/1000)*7.8 l _n

* 1 cycle = 1 movement up + down, regardless of the length of stroke and movement combination. Thus, a material handling operation can consist of a combination of several cycles.

Mechline Pro 50

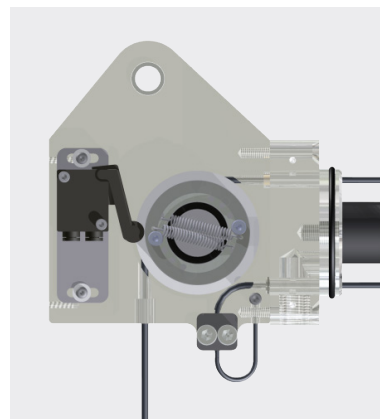
Article numbers
Mechline Pro 50

1a. Base model	#
Stroke 800 mm	738860
Stroke 1200 mm	738861
Stroke 500-2000 mm	738862
1b. Optional build height *	#
Build height 300-1200 ±15 mm	739837
Build height 1201-2000 ±15 mm	739838
2. Pneumatics	#
2-weight	738880
2-weight with slow speed function	741410
3-weight	738881
3-weight with slow speed function	741411
Direct control	738882
Direct control with load guard	741400
3. Options	#
Speed handle	738888
Spiral hose 6/4 (Lmax 3 m) **	736313
FRL unit 0.3 µm + sleeve 12-8	735350 + 742412
Mounting plate for FRL (LHB/AHB)	736168
Mounting plate for FRL (PHB1)	740831
Rebuild kit for slow speed function	741920
1a + (1b) + 2 + (3) : Mechline Pro 50 specification	

- * Default build height is 1500 mm
- ** Air supply for gripper (direct control pneumatics)



Mechline Pro speed handle



Anti-jump function

For more information, contact:



1S450 Summit Avenue, Suite 175, Oakbrook Terrace IL 60181
844 220 0086 www.tceconveyors.com

”
Mechline Pro 50
is an intuitive and
easily maneuvered
line lifter for loads
up to 50 kg.
”



Copyright © 2015 Movomech AB #2015-11-01