

HANDRAIL, 12' DIA, (1) OPENING 1 1/2" SCH 40 PIPE

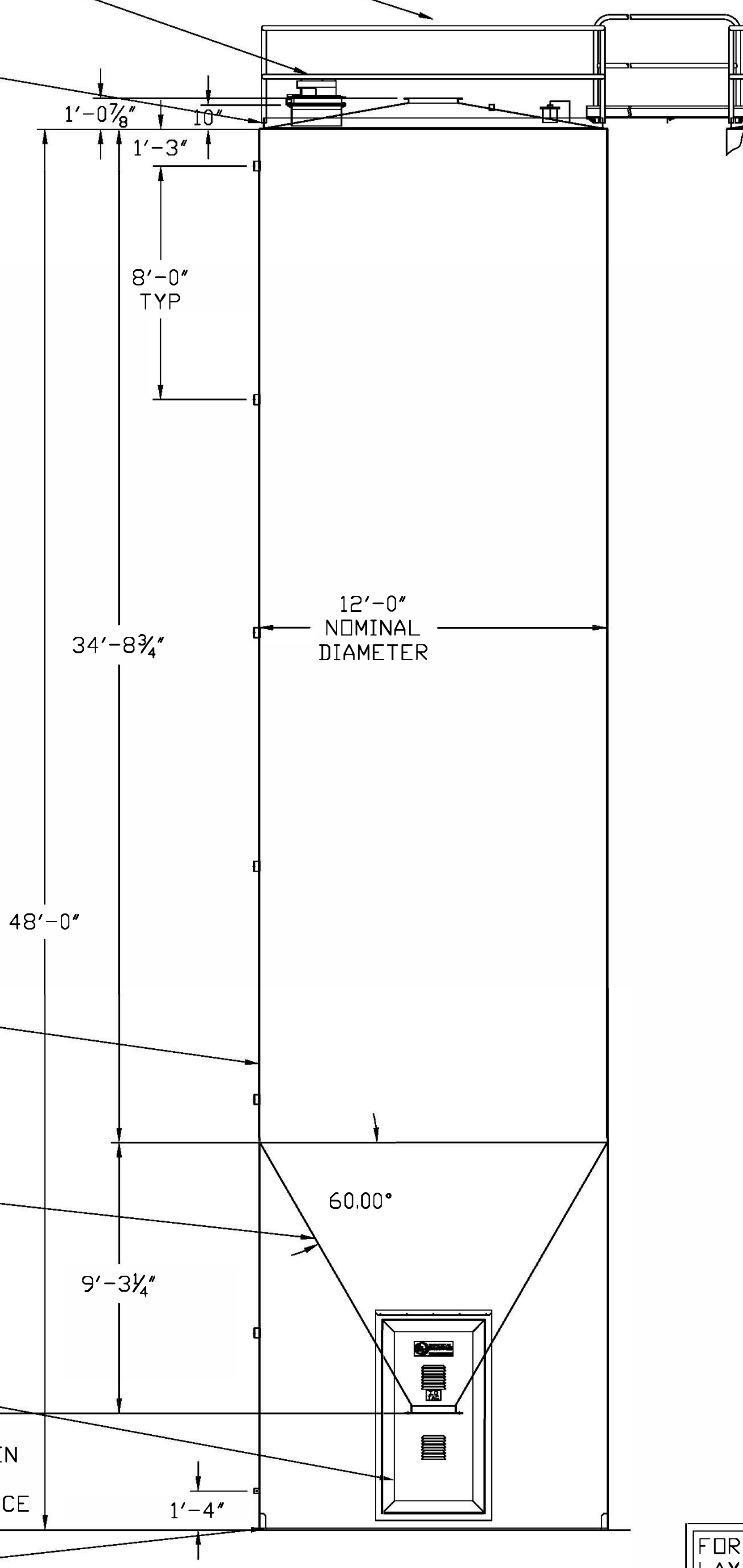
COVER, 20" DIA MANWAY

EXPLOSION RELIEF ROOF DECK 12' WEAK SEAM ANGLE

THOMAS CONVEYOR
and Equipment Company, Inc.
TOLL FREE- 844-220-0086

Hillside IL | www.tceconveyors.com
844-220-0086

Plastic Pellets, Resin, Polyester,
Polycarbonate, Polypropylene,
Industrial Storage Silos



CYLINDERS 1-5 - SH10 GA 72 X 455 A569-CQ

HOPPER - SH10 GA 72 X 152 A569-CQ (3.53 SHEETS)

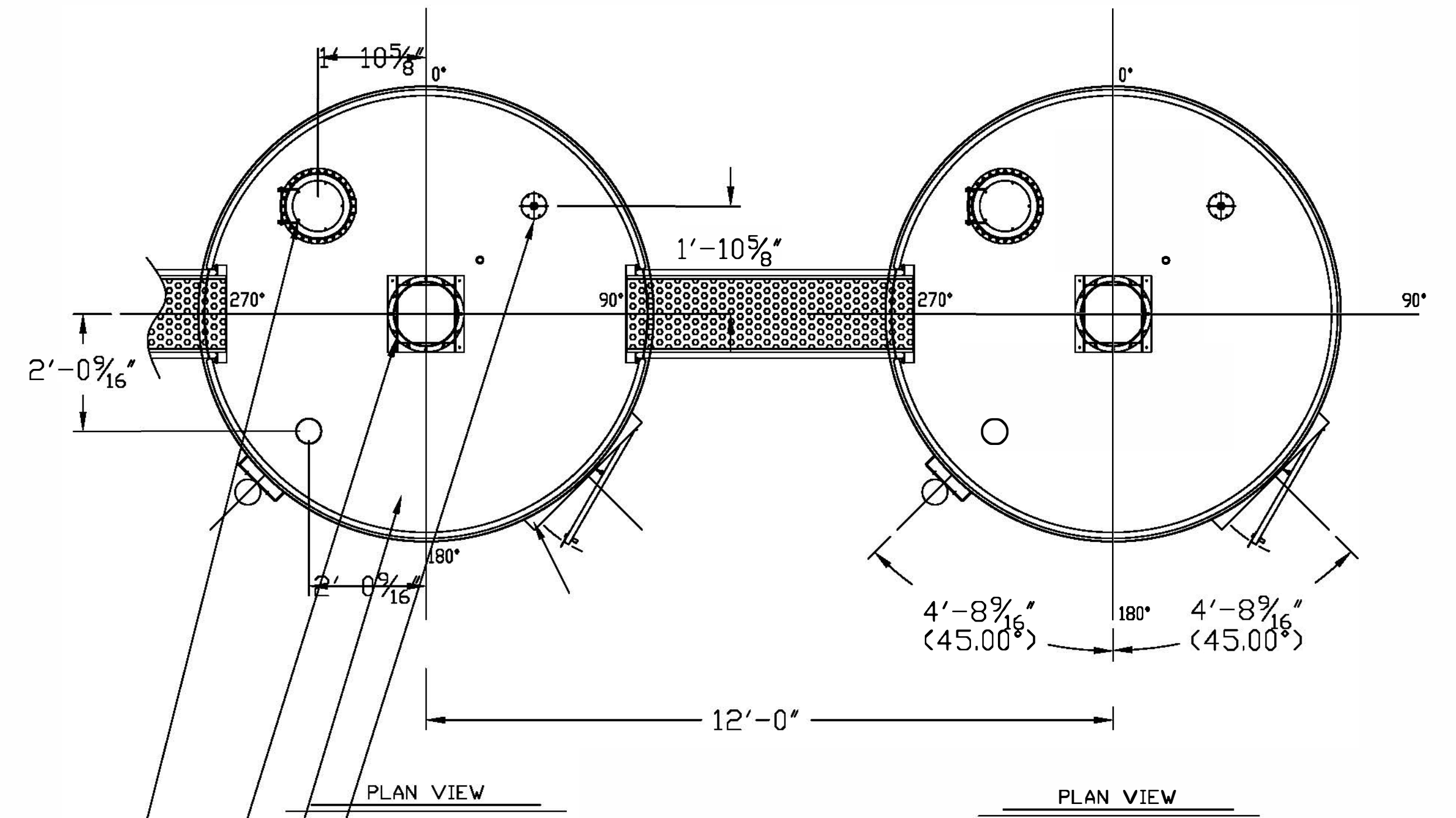
DOOR FRAME, 12' DIA. SINGLE LH 3'-6" X 6'-8" (HRS TANKS)
DOOR, 3'-6" X 6'-8" ALUM (LH) W/ LOUVERS AND BUG SCREEN
DOOR FRAME, RAIN GUTTER (SGL) GALV. OR ALUM.
DOOR HANDLE ASSEMBLY, SHIPPING PACKAGE

MAINTAIN
4'-0"
CLEARANCE

BASE RING, L3X3X3/8" 12' TANK STEEL, 180 DEG. SEG.

ELEVATION VIEW

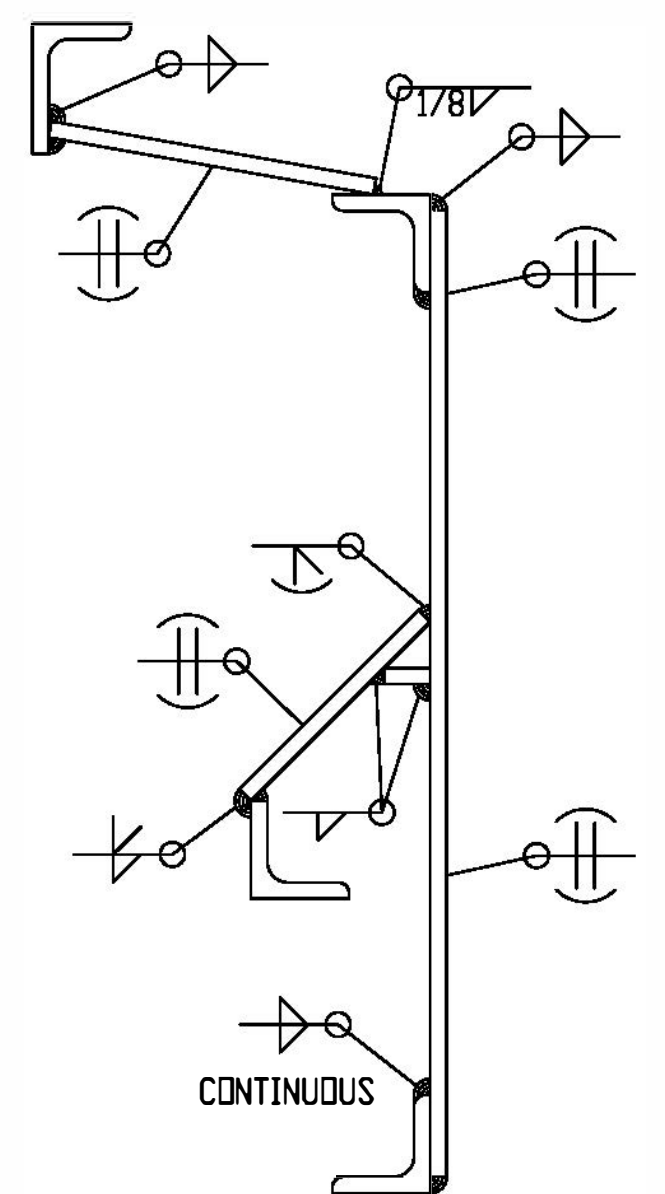
SCALE: 1/4" = 1'-0"
NOTE: 1. FOR TRUE ORIENTATION SEE PLAN VIEW.



LEVEL SENSOR, 6" FLANGE W/ (6) 11/32" EQ SP ON A 7" B.C.
ROOF DECK - PL 3/16 72 X 152 A36 (1.75 SHEETS)
BIRD SCREEN BIN VENT

MANWAY, 20" DIA. W/ OPENING FOR 8"
PRESSURE VACUUM RELIEF VALVE

TYPICAL WELD DETAIL #2



MANUFACTURING TOLERANCES PER ES531

MATERIAL
POLYPROPYLENE_STORAGE_SILO

FOUNDATION LOADS:	
OVERTURN MOMENT	OVERTURN FT-LBS.
HORIZONTAL SHEAR	SHEAR LBS.
MAX. LOAD PER IN. OF BASE	LINEAR LBS.
MAX. LOAD PER ANCHOR BOLT	BOLT LBS.
RECOMMENDED BOLT DIA.	BOLT DIA. BM

DESIGN NOTES:	CODE
0.2 SECOND SPECTRAL RESPONSE	SEISMIC S _{0.2}
1 SECOND SPECTRAL RESPONSE	SEISMIC S ₁
SEISMIC SITE CLASS	SOILTYPE
SEISMIC IMP. FACTOR	SEISMICFACTOR
ANALYSIS PROCEDURE EQUIVALENT LATERAL FORCE (ELFP)	WIND MPH (EXP. C)
MAX. WIND SPEED	WINDFACTOR
WIND IMPORTANCE FACTOR	LIVELOAD PSF
MAX. DECK LIVE LOAD	DENSITY LBS/FT ³
MAX. MATERIAL DENSITY	PRESSURE PSI
MAX. INTERNAL PRESSURE	VACUUM PSI
MAX. INTERNAL VACUUM	CAPACITY CUBIC FOOT
CAPACITY	WEIGHT LBS
SHIPPING WEIGHT	OPWEIGHT LBS
OPERATING WEIGHT	TEMP °F
TEMPERATURE	

FOR ANCHOR BOLT
LAYOUT SEE DRAWING

SHIPPING NOTE:
COVER ALL OPENINGS WITH SHIPPING COVERS. CAUTION:
DO NOT SEAL TANK COMPLETELY, CHANGES IN TEMPERATURE
OR ATMOSPHERIC PRESSURE MAY CAUSE DAMAGE TO TANK.