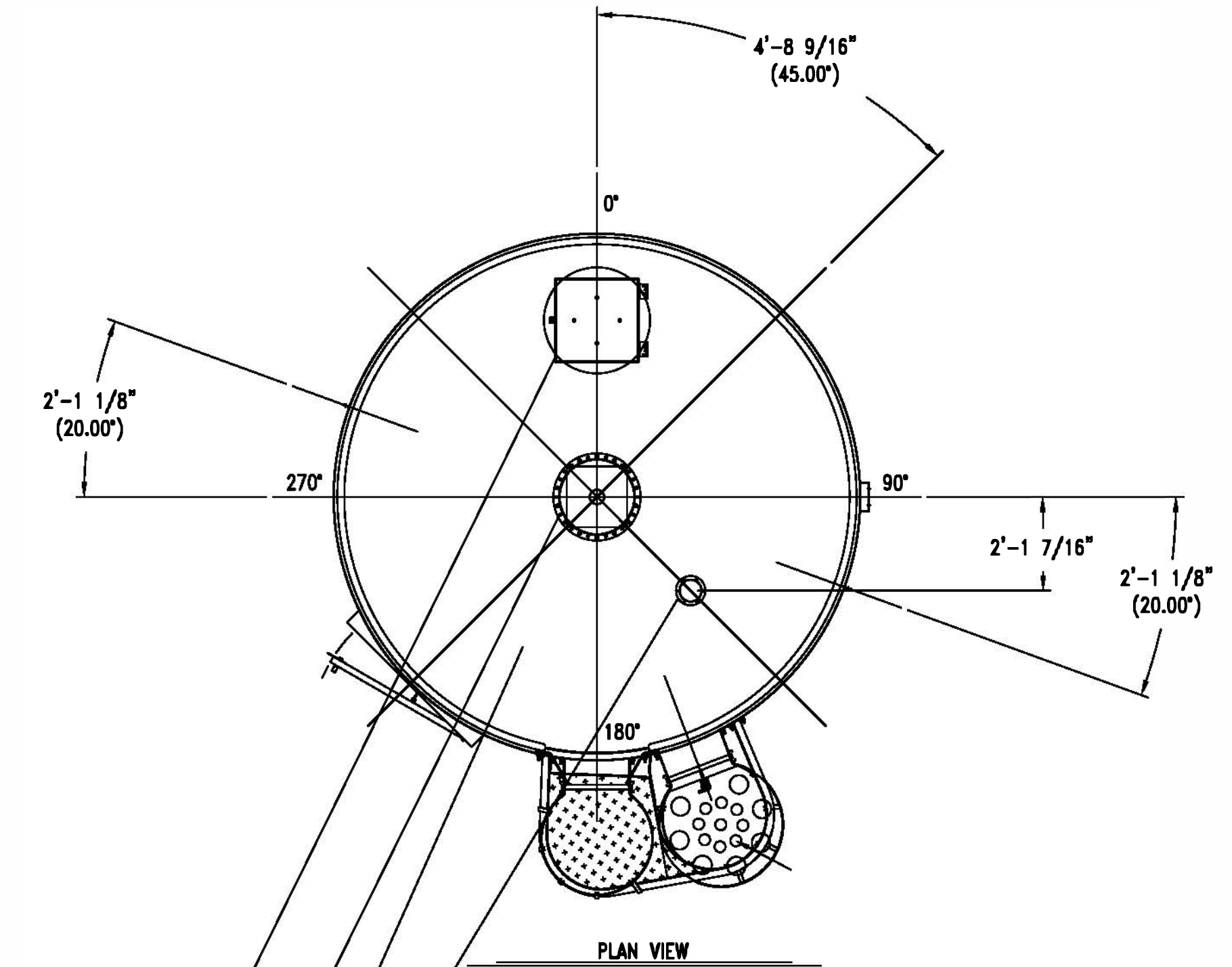
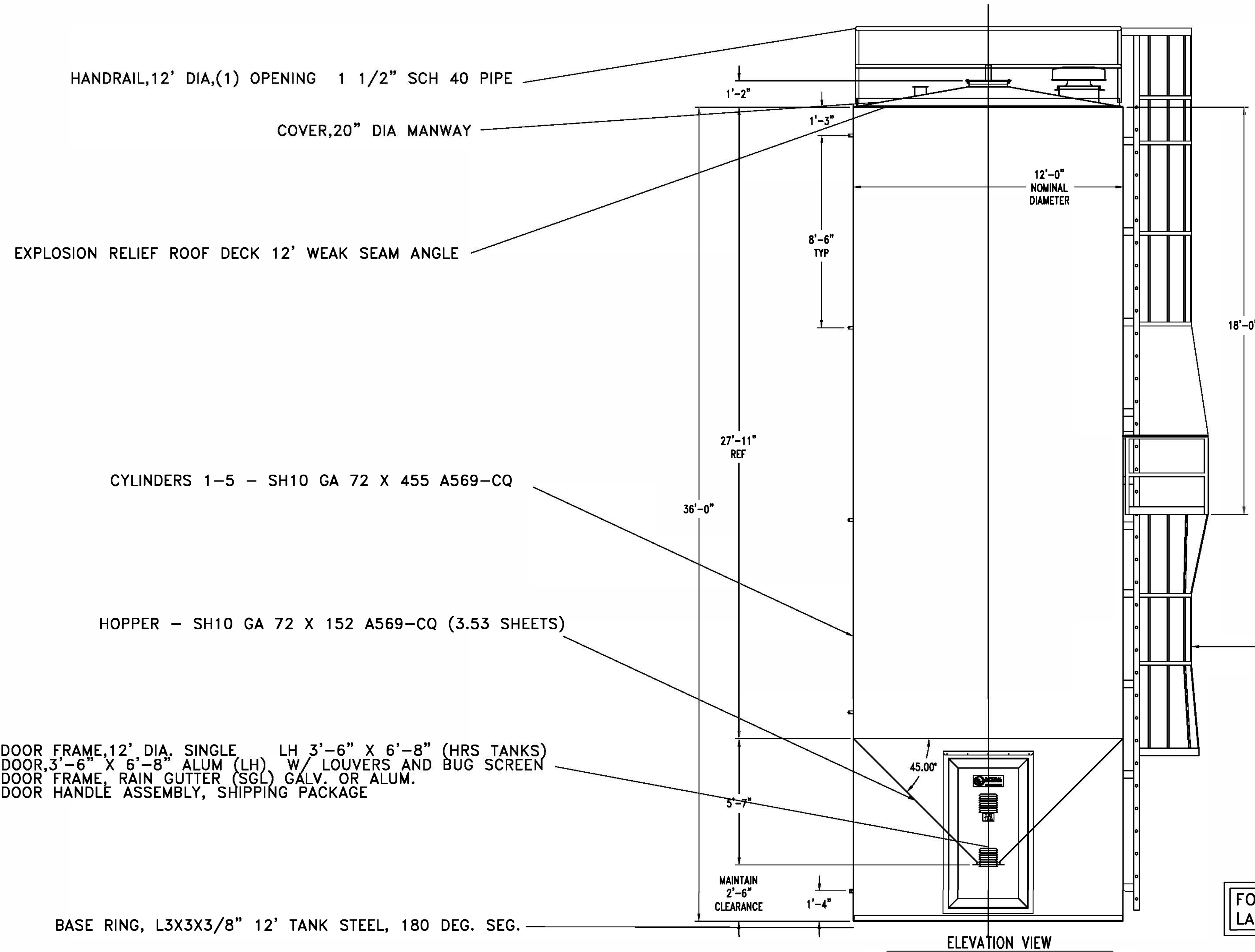


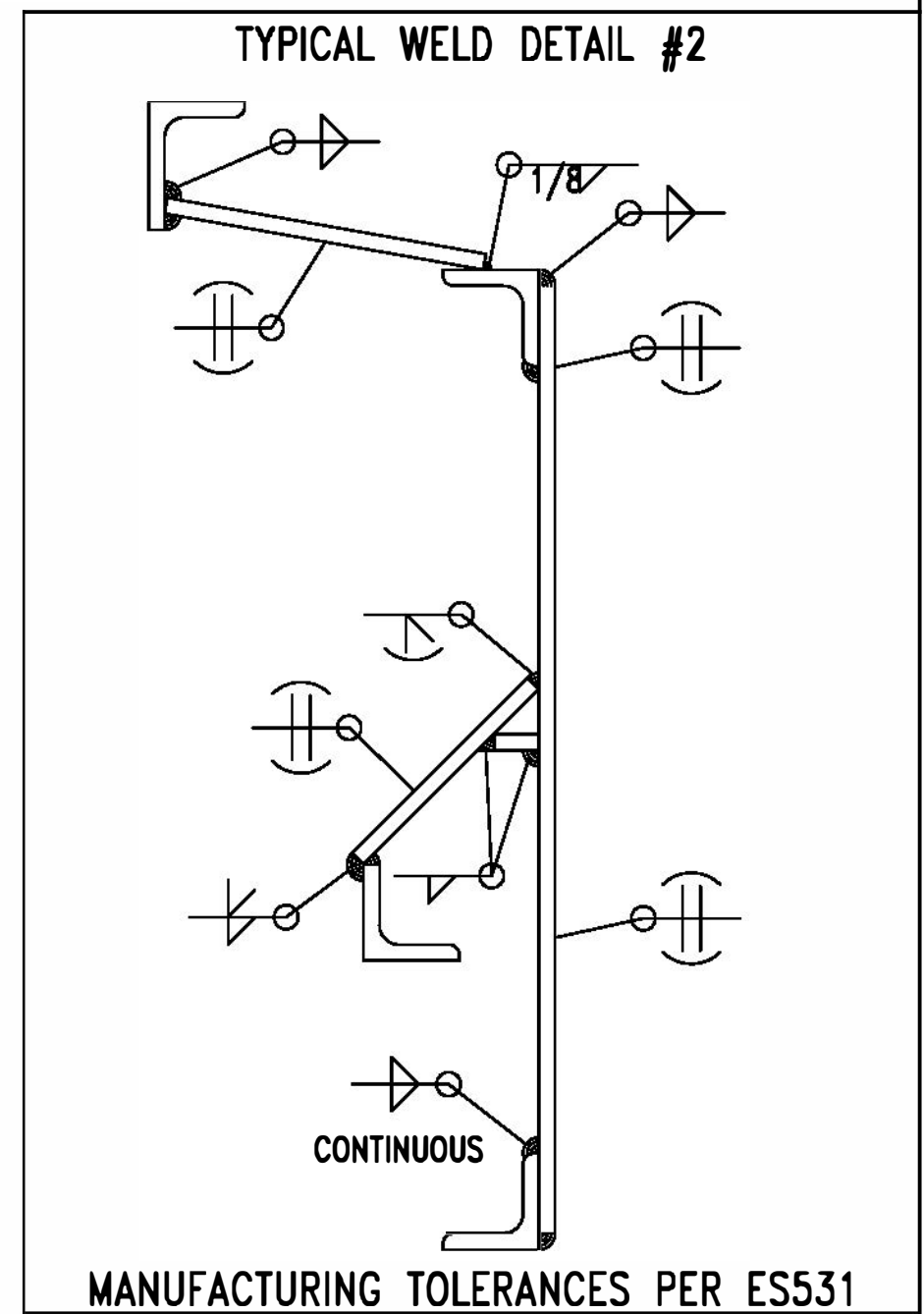
Hillside IL | www.tceconveyors.com
844-220-0086
Polyethylene Nylon PVC ABS PET INDUSTRIAL STORAGE SILOS



LEVEL SENSOR, 6" FLANGE W/ (6) 11/32" EQ SP ON A 7" B.C.
ROOF DECK - PL 3/16 72 X 152 A36 (1.75 SHEETS)
BIRD SCREEN BIN VENT
MANWAY, 20" DIA. W/ OPENING FOR 8" PRESSURE VACUUM RELIEF VALVE



LADDER ASSY, 55' WITH CAGE (L.H. PLAT)
BOLT BAG, 55' ALUMINUM LADDER WITH CAGE
SAFETY CAGE CLOSURE GATE ASSY. (ALUM)



DOOR FRAME, 12' DIA. SINGLE LH 3'-6" X 6'-8" (HRS TANKS)
DOOR, 3'-6" X 6'-8" ALUM (LH) W/ LOUVERS AND BUG SCREEN
DOOR FRAME, RAIN GUTTER (SGL) GALV. OR ALUM.
DOOR HANDLE ASSEMBLY, SHIPPING PACKAGE

BASE RING, L3X3X3/8" 12' TANK STEEL, 180 DEG. SEG.

FOR ANCHOR BOLT LAYOUT SEE DRAWING

DESIGN NOTES:	CODE
0.2 SECOND SPECTRAL RESPONSE	SEISMIC_SS%
1 SECOND SPECTRAL RESPONSE	SEISMIC_S1%
SEISMIC SITE CLASS	SOILTYPE
SEISMIC IMP. FACTOR	SEISMICFACTOR
ANALYSIS PROCEDURE EQUIVALENT	LATERAL FORCE (ELFP)
	WIND MPH (EXP. C)
MAX. WIND SPEED	WINDFACTOR
WIND IMPORTANCE FACTOR	LIVELOAD PSF
MAX. DECK LIVE LOAD	DENSITY LBS/FT ³
MAX. MATERIAL DENSITY	PRESSURE PSI
MAX. INTERNAL PRESSURE	VACUUM PSI
MAX. INTERNAL VACUUM	CAPACITY CUBIC FOOT
CAPACITY	WEIGHT LBS
SHIPPING WEIGHT	OPWEIGHT LBS
OPERATING WEIGHT	TEMP °F
TEMPERATURE	

MATERIAL POLYETHYLENE_STORAGE_SILO

FOUNDATION LOADS:	OVERTURN	FT.-LBS.
OVERTURN MOMENT	SHEAR	LBS.
HORIZONTAL SHEAR	LINEAR	LBS.
MAX. LOAD PER IN. OF BASE	BOLT	LBS.
MAX. LOAD PER ANCHOR BOLT	BOLTDIA	BM
RECOMMENDED BOLT DIA.		

SHIPPING NOTE:
COVER ALL OPENINGS WITH SHIPPING COVERS. CAUTION:
DO NOT SEAL TANK COMPLETELY, CHANGES IN TEMPERATURE
OR ATMOSPHERIC PRESSURE MAY CAUSE DAMAGE TO TANK.