

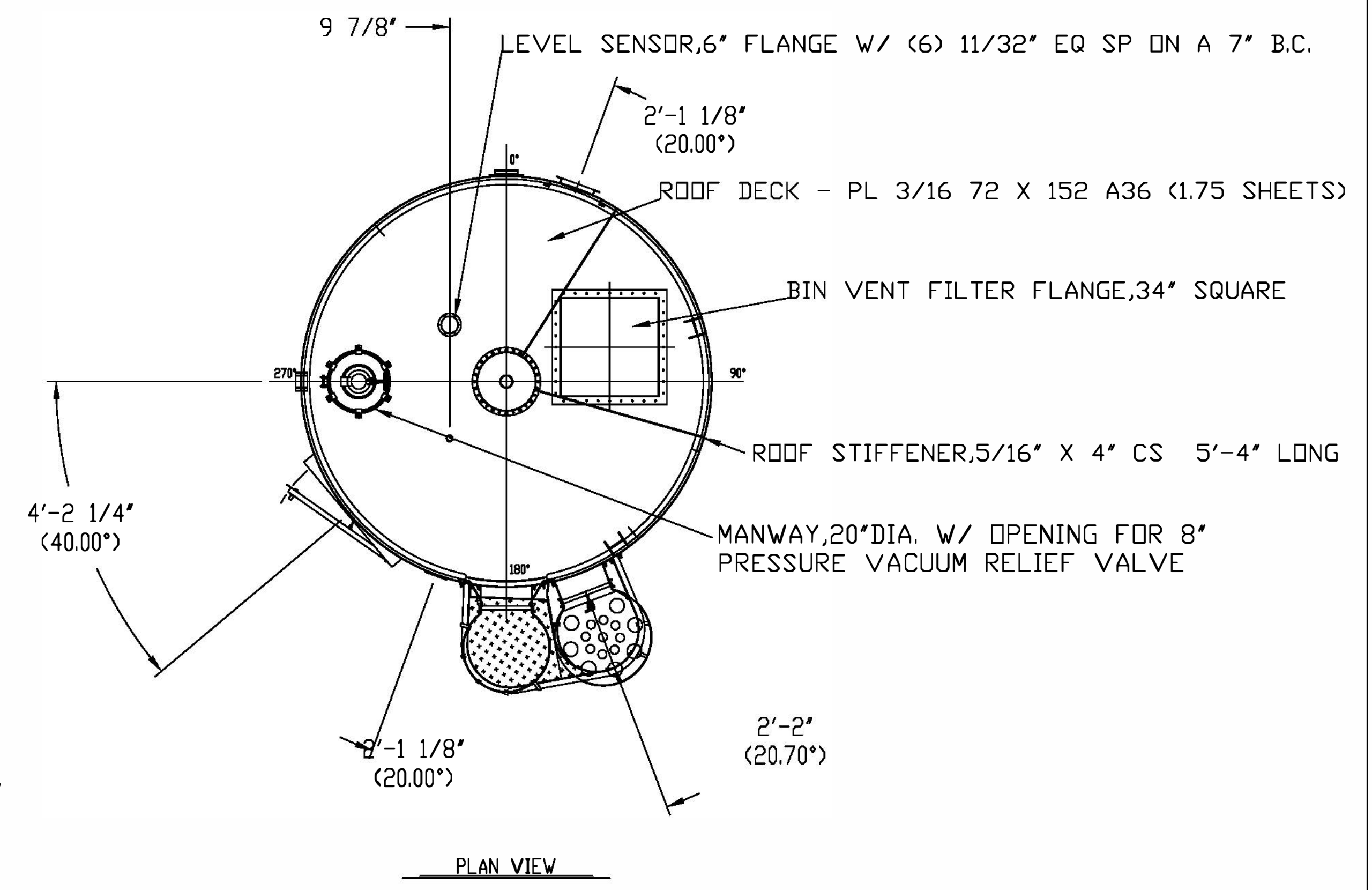
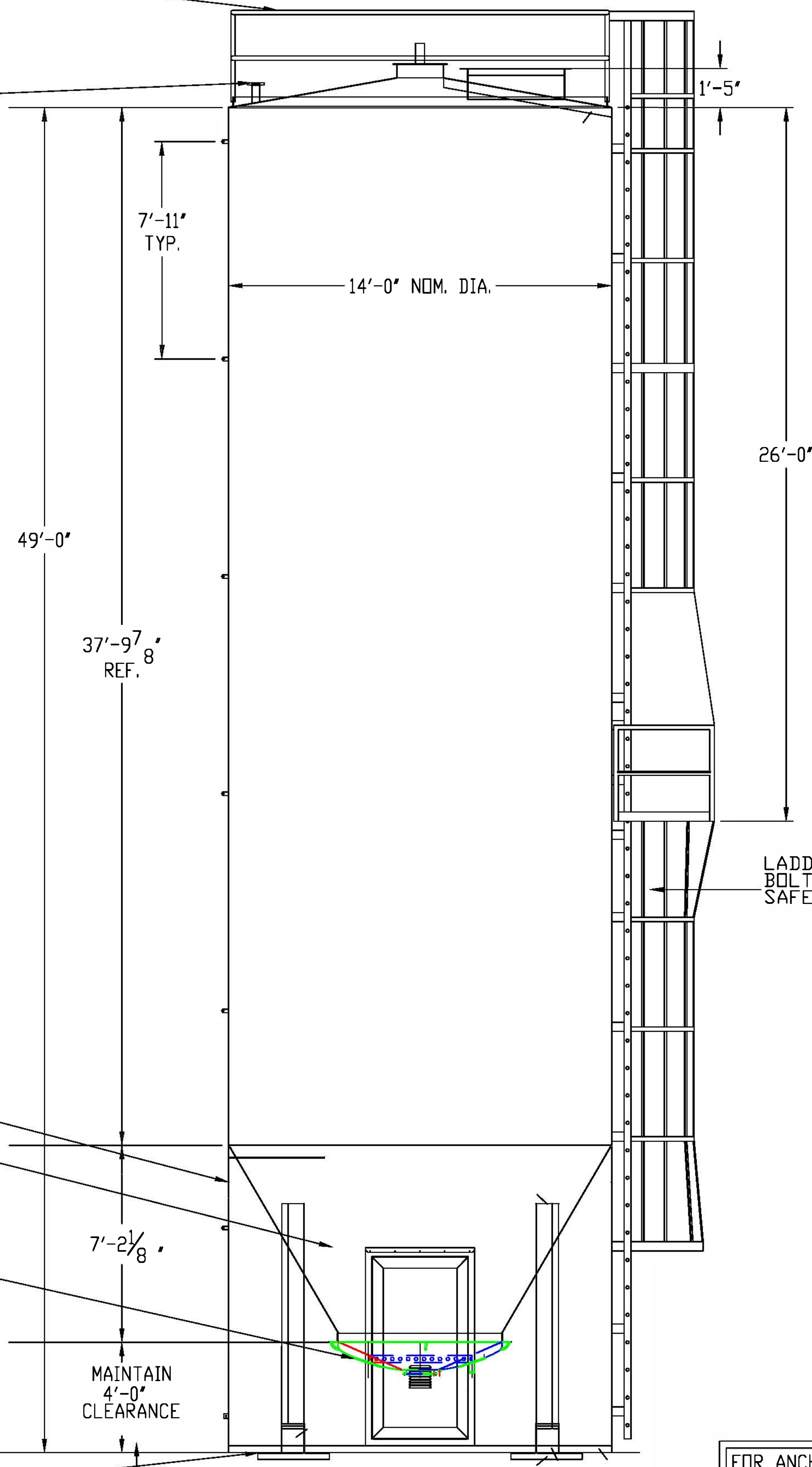
HANDRAIL, 14' DIA. (1) OPENING 1 1/2" SCH 40 PIPE

EXPLOSION RELIEF ROOF DECK 12' WEAK SEAM ANGLE

LEVEL SENSOR, 6" FLANGE W/ (6) 11/32" EQ SP ON A 7" B.C.



Hillside IL | www.tceconveyors.com | 844-220-0086
WHEAT FLOUR, CORN, SOY, TORTILLA, GRITS STORAGE
SILO



LADDER ASSY, 55' WITH CAGE (L.H. PLAT)
BOLT BAG, 55' ALUMINUM LADDER WITH CAGE
SAFETY CAGE CLOSURE GATE ASSY. (ALUM)

CYLINDERS 1-5 - SH10 GA 72 X 455 A569-CQ

HOPPER - SH10 GA 72 X 152 A569-CQ (3.53 SHEETS)

6' DIAMETER FLUIDIZED BED AERATION BOTTOM BIN

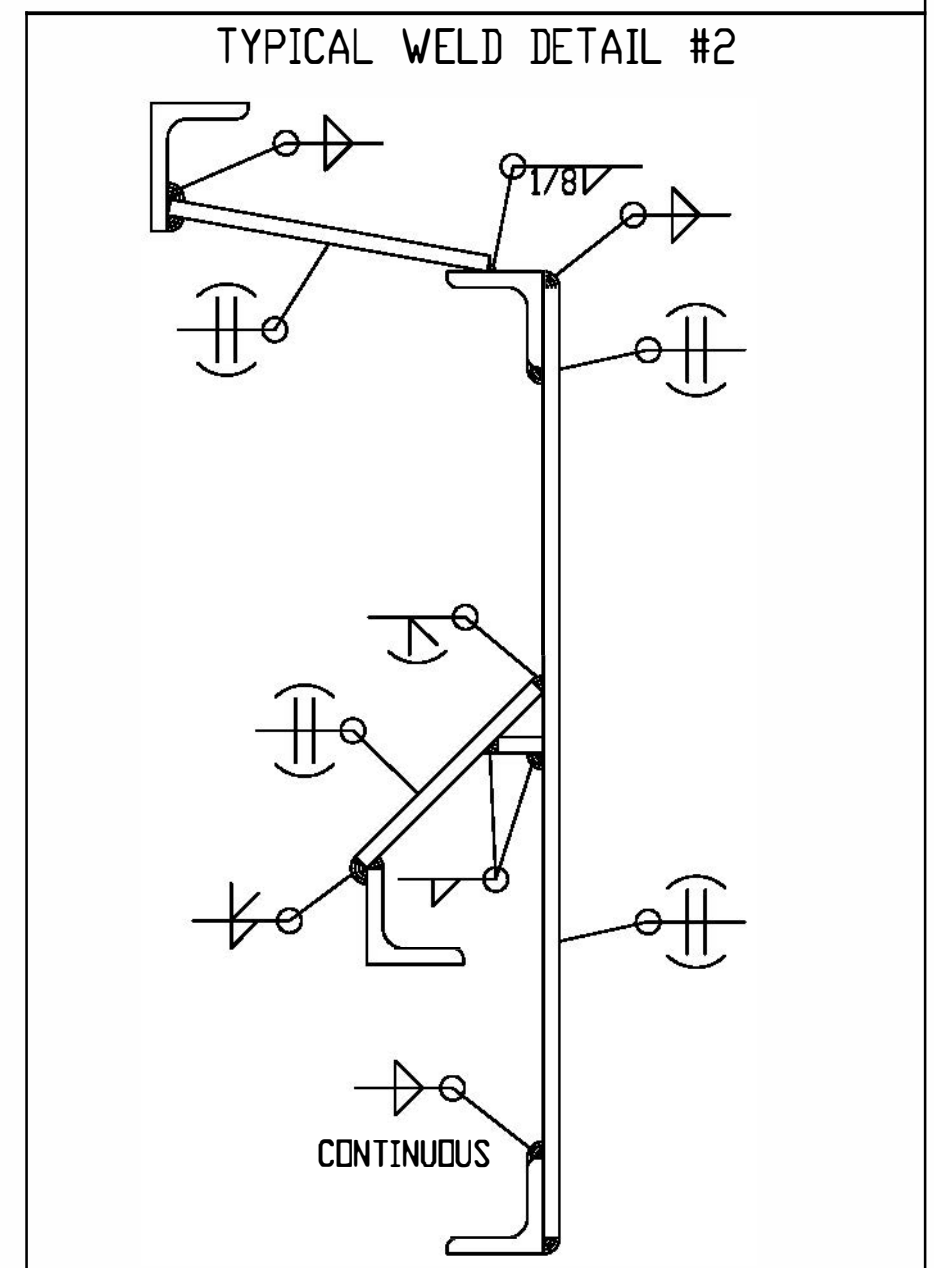
DOOR FRAME, 12' DIA. SINGLE LH 3'-6" X 6'-8" (HRS TANKS)
DOOR, 3'-6" X 6'-8" ALUM (LH) W/ LOUVERS AND BUG SCREEN
DOOR FRAME, RAIN GUTTER (SGL) GALV. OR ALUM.
DOOR HANDLE ASSEMBLY, SHIPPING PACKAGE

MAINTAIN 4'-0" CLEARANCE

BASE RING, L3X3X3/8" 14' TANK STEEL, 180 DEG. SEG.

ELEVATION VIEW
SCALE: 1/4" = 1'-0"
NOTE: 1. FOR TRUE ORIENTATION SEE PLAN VIEW.

FOR ANCHOR BOLT LAYOUT
SEE DRAWING WEB



MANUFACTURING TOLERANCES PER ES531
QUOTE #: QUOTE#
MATERIAL TYPE: WHEAT_FLOUR_SILO

DESIGN NOTES:		FOUNDATION LOADS:	
0.2 SECOND SPECTRAL RESPONSE	SEISMIC S ₁	OVERTURN MOMENT	OVERTURN FT-LBS.
1 SECOND SPECTRAL RESPONSE	SEISMIC S ₂	HORIZONTAL SHEAR	SHEAR LBS.
SEISMIC SITE CLASS	SOILTYPE	MAX. LOAD PER IN. OF BASE	LINEAR LBS.
SEISMIC IMP. FACTOR	SEISMICFACTOR	MAX. LOAD PER ANCHOR BOLT	BOLT LBS.
ANALYSIS PROCEDURE EQUIVALENT LATERAL FORCE (ELFP)	WIND MPH (EXP. C)	RECOMMENDED BOLT DIA.	BOLTDIA BM
MAX. WIND SPEED	WINDFACTOR		
WIND IMPORTANCE FACTOR	LIVELOAD PSF		
MAX. DECK LIVE LOAD	DENSITY LBS/FT ³		
MAX. MATERIAL DENSITY	PRESSURE PSI		
MAX. INTERNAL PRESSURE	VACUUM PSI		
MAX. INTERNAL VACUUM	CAPACITY CUBIC FOOT		
CAPACITY	WEIGHT LBS		
SHIPPING WEIGHT	OPWEIGHT LBS		
OPERATING WEIGHT	TEMP °F		
TEMPERATURE			

SHIPPING NOTE:
COVER ALL OPENINGS WITH SHIPPING COVERS. CAUTION:
DO NOT SEAL TANK COMPLETELY, CHANGES IN TEMPERATURE
OR ATMOSPHERIC PRESSURE MAY CAUSE DAMAGE TO TANK.