

Series "E" Slide Gate

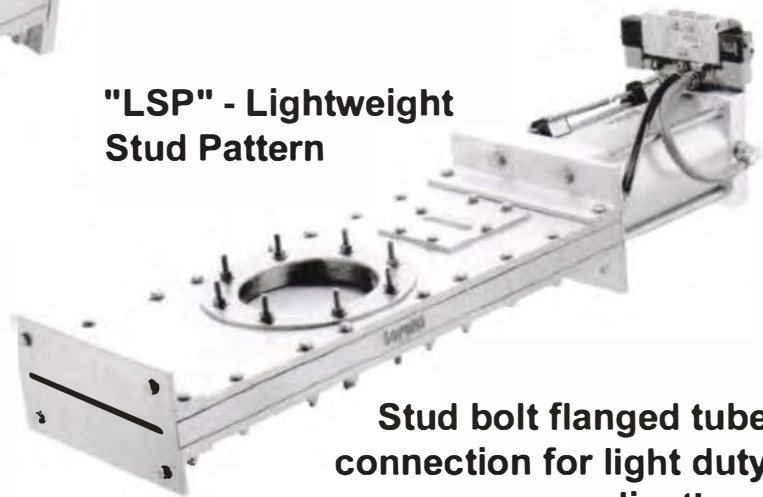
"TPS" - Tube & Pipe Stubs



Tube & Pipe Stubs for
compression couplings

Pneumatic actuated Slide Gate
for vacuum, low pressure* and
gravity conveying systems

"LSP" - Lightweight
Stud Pattern



Stud bolt flanged tube
connection for light duty
applications

*(Dilute phase up to 15 psig max.)

Standard Features

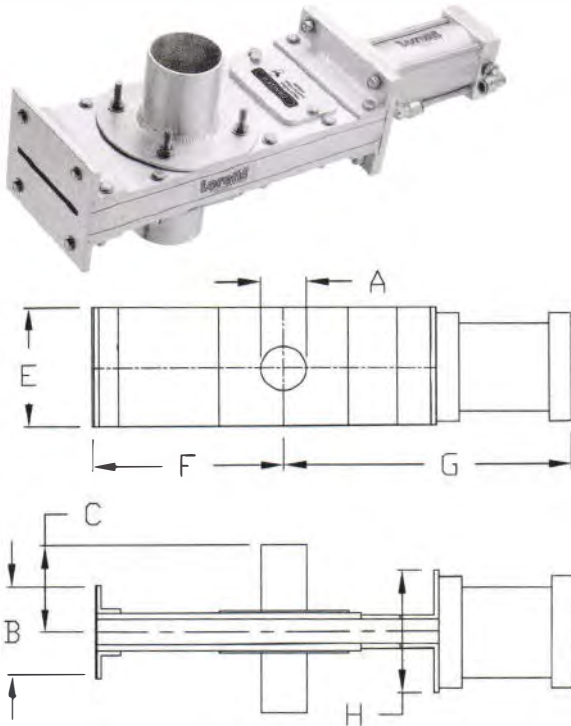
- Positive Blade Lock (PBL) between blade & cylinder rod
 - Internal magnetic piston, cushioned air cylinder
- Polished stainless steel blade • Active Compression Seals (ACS)
- Light weight aluminum body construction • Temperature rated for up to 82° C (180° F)
 - Wall thickness of 16, 14, & 11 gauge, schedule 10, 40 & 80
 - Fully tested prior to shipping

Options

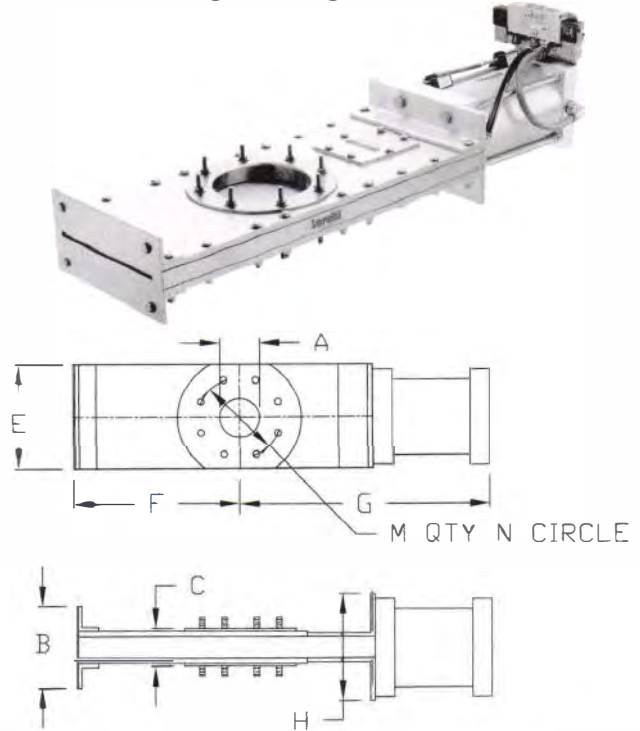
- Position switches 5 volt to 240 volt AC/DC
- Proximity switches
- Oversized cylinders
- Valve body sealed for air purging
- High temperature modifications
- Manual hand crank operation
- Prewired terminal boxes
- Special seal configurations
- Solenoids 110 volt AC or 24 volt DC
- Double acting or single acting spring return solenoid or manual lever valve
- NEMA 7-9 hazardous locations
Class I, Groups B, C&D, Class II, Groups E, F&G
- Electric actuation
- Special service inlet

Series "E" Slide Gate

"TPS" - Tube & Pipe Stubs



"LSP" - Lightweight Stud Pattern



■ Orifice conforms to inside diameter of pipe or tube

	A	B	C	E	F	G	H
1 1/2 OD	4 7/8	4	5	4 5/8	13 1/4	5	
2 OD	4 7/8	4	5	4 5/8	13 1/4	5	
2 3/16 OD	4 7/8	4	6	5	15 1/8	5	
2 3/8 OD	4 7/8	4	6	5 3/4	16	5	
2 1/2 OD	4 7/8	4	6	5 3/4	16	5	
2 7/8 OD	4 7/8	4	6	5 3/4	16	5	
3 OD	4 7/8	4	6	5 7/8	16	5	
3 1/2 OD	4 7/8	6	7	7 7/8	20	5	
4 OD	4 7/8	4	7	7 7/8	20	5	
4 1/2 OD	4 7/8	6	9	8 1/2	22 1/2	5	
5 OD	4 7/8	5	9	10 1/8	24	5	
5 9/16 OD	4 7/8	5	10	10 1/8	24	5	
6 OD	4 7/8	5	10	11 1/8	25 1/2	5	
6 5/8 OD	4 7/8	7	11	12	26 3/4	5	
8 OD	5	9	12	14 1/8	30 1/2	5	
8 5/8 OD	5	9	13	14 1/2	30 3/4	5	
10 OD	5 7/8	9	14	17 3/8	36 1/16	7	
10 3/4 OD	5 7/8	9	16	17 3/8	35 5/8	7 1/8	
12 OD	5 7/8	9	16	20 7/8	41 1/4	7 1/8	
12 3/4 OD	5 7/8	9	18	20 7/8	41 1/4	7	
14 OD	5 7/8	9	18	23 5/8	46	7	

■ Orifice conforms to inside diameter of pipe or tube

	A	B	C	E	F	G	H	FLANGE DIMENSIONS		THREAD SIZE, STUD LENGTH	
								M	N		
1 1/2 OD	4 7/8	4	5	4 5/8	13 1/4	5	4	3 7/8	5/16-18 NC	7/8	
2 OD	4 7/8	4	5	4 5/8	13 1/4	5	4	3 7/8	5/16-18 NC	7/8	
2 3/16 OD	4 7/8	4	6	5	15 1/8	5	4	3 7/8	5/16-18 NC	7/8	
2 3/8 OD	4 7/8	4	6	5 3/4	16	5	4	3 7/8	5/16-18 NC	7/8	
2 1/2 OD	4 7/8	4	6	5 3/4	16	5	4	3 7/8	5/16-18 NC	7/8	
2 7/8 OD	4 7/8	4	6	5 3/4	16	5	4	3 7/8	5/16-18 NC	7/8	
3 OD	4 7/8	4	6	5 7/8	16	5	4	5	5/16-18 NC	7/8	
3 1/2 OD	4 7/8	6	7	7 7/8	20	5	4	5	5/16-18 NC	7/8	
4 OD	4 7/8	4	7	7 7/8	20	5	6	5 1/2	5/16-18 NC	7/8	
4 1/2 OD	4 7/8	6	9	8 1/2	22 1/2	5	6	5 1/2	5/16-18 NC	7/8	
5 OD	4 7/8	5	9	10 1/8	24	5	8	6 1/2	5/16-18 NC	7/8	
5 9/16 OD	4 7/8	5	10	10 1/8	24	5	8	6 1/2	5/16-18 NC	7/8	
6 OD	4 7/8	7	11	11 1/8	25 1/2	5	8	7 1/2	5/16-18 NC	7/8	
6 5/8 OD	4 7/8	7	11	12	26 3/4	5	8	7 1/2	5/16-18 NC	7/8	
8 OD	5	9	12	14 1/8	30 1/2	5	8	9 1/2	5/16-18 NC	7/8	
8 5/8 OD	5	9	13	14 1/2	30 3/4	5	8	9 1/2	5/16-18 NC	7/8	
10 OD	5 7/8	9	14	17 3/8	35 5/8	7	8	11 1/2	5/16-18 NC	7/8	
10 3/4 OD	5 7/8	9	16	17 3/8	35 5/8	7	12	11 1/2	5/16-18 NC	7/8	
12 OD	5 7/8	9	16	20 7/8	41 1/4	7	12	3 13/16	5/16-18 NC	7/8	
12 3/4 OD	5 7/8	9	18	20 7/8	41 1/4	7	12	3 13/16	5/16-18 NC	7/8	
14 OD	5 7/8	9	18	23 5/8	46	7	12	16	5/16-18 NC	7/8	

All dimensions in inches

Series "E" Slide Gate

Pneumatic actuated Slide Gate for vacuum, low pressure*
and gravity conveying systems



"SB" - Stud Bolt

150lb. pipe flange pattern with studs for bolting to flanges

"BTV" - Bolt Through Valve



"BBH" - Blind Bolt Hole

150lb. pipe flange pattern with tapped holes for mounting between flanges

*(Dilute phase up to 15 psig max.)

Standard Features

- Positive Blade Lock (PBL) between blade & cylinder rod
 - Internal magnetic piston, cushioned air cylinder
- Polished stainless steel blade • Active Compression Seals (ACS)
- Light weight aluminum body construction • Temperature rated for up to 82° C (180° F)
- Wall thickness of 16, 14, & 11 gauge, schedule 10, 40 & 80
 - Fully tested prior to shipping

Options

- Position switches 5 volt to 240 volt AC/DC
- Proximity switches
- Oversized cylinders
- Valve body sealed for air purging
- High temperature modifications
- Manual hand crank operation
- Prewired terminal boxes
- Special seal configurations
- Solenoids 110 volt AC or 24 volt DC
- Double acting or single acting spring return solenoid or manual lever valve
- NEMA 7-9 hazardous locations
Class I, Groups B, C&D, Class II, Groups E, F&G
- Electric actuation
- Special service inlet

Series "E" Slide Gate



"SB" - Stud Bolt



"BBH" - Blind Bolt Hole



"BTV" - Bolt Through Valve

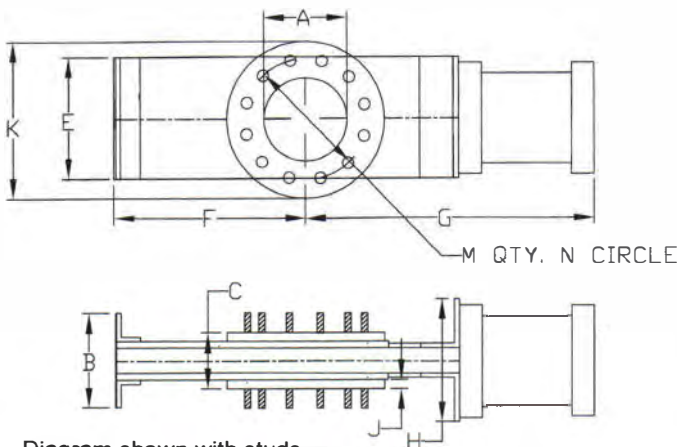
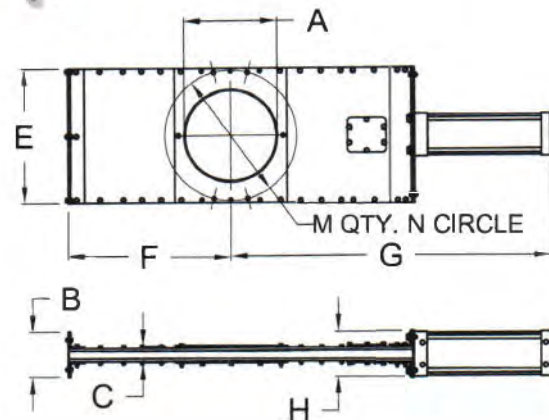


Diagram shown with studs



Orifice conforms to inside diameter of pipe or tube								FLANGE DIMENSIONS				THREAD SIZE, STUD LENGTH	
A	B	C	E	F	G	H	J	K	M	N			
1 1/2 OD	4 7/8	3 1/8	5	4 5/8	13 1/4	5	5/8	5	4	3 7/8	1/2 -13 NC	1 3/4	
2 OD	4 7/8	3 1/8	5	4 5/8	13 1/4	5	5/8	6	4	4 3/4	5/8-11 NC	1 3/4	
2 3/16 OD	4 7/8	3 1/8	6	5	15 1/8	5	5/8	6	4	4 3/4	5/8-11 NC	1 3/4	
2 3/8 OD	4 7/8	3 1/8	6	5 3/4	16	5	5/8	6	4	4 3/4	5/8-11 NC	1 3/4	
2 1/2 OD	4 7/8	3 1/8	6	5 3/4	16	5	5/8	7	4	5 1/2	5/8-11 NC	1 3/4	
2 7/8 OD	4 7/8	3 1/8	6	5 3/4	16	5	5/8	7	4	5 1/2	5/8-11 NC	1 3/4	
3 OD	4 7/8	3 1/8	6	5 7/8	16	5	5/8	7 1/2	4	6	5/8-11 NC	1 3/4	
3 1/2 OD	4 7/8	3 1/8	7	7 7/8	20	5	5/8	7 1/2	4	6	5/8-11 NC	1 3/4	
4 OD	4 7/8	3 1/8	7	7 7/8	20	5	5/8	9	8	7 1/2	5/8-11 NC	1 3/4	
4 1/2 OD	4 7/8	3 1/8	9	8 1/2	22 1/2	5	5/8	9	8	7 1/2	5/8-11 NC	1 3/4	
5 OD	4 7/8	3 1/8	9	10 1/8	24	5	5/8	10	8	8 1/2	3/4-10 NC	1 3/4	
5 9/16 OD	4 7/8	3 1/8	10	10 1/8	24	5	5/8	10	8	8 1/2	3/4-10 NC	1 3/4	
6 OD	4 7/8	3 1/8	10	11 1/8	25 1/2	5	5/8	11	8	9 1/2	3/4-10 NC	1 3/4	
6 5/8 OD	4 7/8	3 1/8	11	12	26 3/4	5	5/8	11	8	9 1/2	3/4-10 NC	1 3/4	
8 OD	4 7/8	3 1/8	12	14 1/8	30 1/2	5	5/8	13 1/2	8	11 3/4	3/4-10 NC	1 3/4	
8 5/8 OD	4 7/8	3 1/8	13	14 1/2	30 3/4	5	5/8	13 1/2	8	11 3/4	3/4-10 NC	1 3/4	
10 OD	5 7/8	3 3/8	14	17 3/8	35 5/8	7	3/4	16	12	14 1/4	7/8-9 NC	1 3/4	
10 3/4 OD	5 7/8	3 3/8	16	17 3/8	35 5/8	7	3/4	16	12	14 1/4	7/8-9 NC	1 3/4	
12 OD	5 7/8	3 3/8	16	20 7/8	41 1/4	7	3/4	19	12	17	7/8-9 NC	1 3/4	
12 3/4 OD	5 7/8	3 3/8	18	20 7/8	41 1/4	7	3/4	19	12	17	7/8-9 NC	1 3/4	
14 OD	5 7/8	3 3/8	18	23 5/8	46	7	3/4	21	12	18 3/4	1-8 NC	1 3/4	

Orifice conforms to inside diameter of pipe or tube								M	HOLE DIA.	N
A	B	C	E	F	G	H				
1 1/2 OD	4 3/4	2 1/8	5 1/2	4 5/8	13 1/4	4 3/4	2	7/16	4 3/4	
2 OD	4 3/4	2 1/8	5 1/2	4 5/8	13 1/4	4 3/4	2	7/16	4 3/4	
2 3/16 OD	4 3/4	2 1/8	6 1/4	5	14 3/4	4 3/4	2	7/16	5 1/2	
2 3/8 OD	4 3/4	2 1/8	6 1/4	5 3/4	14 3/4	4 3/4	2	7/16	5 1/2	
2 1/2 OD	4 3/4	2 1/8	6 1/4	5 3/4	16	4 3/4	2	7/16	5 1/2	
2 7/8 OD	4 3/4	2 1/8	6 3/4	5 3/4	16	4 3/4	2	7/16	5 1/2	
3 OD	4 3/4	2 1/8	6 3/4	5 7/8	16	4 3/4	2	7/16	6	
3 1/2 OD	4 3/4	2 1/8	7 3/4	7 7/8	20	4 3/4	2	7/16	7	
4 OD	4 3/4	2 1/8	7 3/4	7 7/8	20	4 3/4	4	7/16	7 1/2	
4 1/2 OD	4 3/4	2 1/8	9	8 1/2	22 1/2	4 3/4	4	9/16	7 1/2	
5 OD	4 3/4	2 1/8	9	10 1/8	24	4 3/4	4	9/16	8 1/2	
5 9/16 OD	4 3/4	2 1/8	9	10 1/8	24	4 3/4	4	9/16	8 1/2	
6 OD	4 3/4	2 1/8	10	11 1/8	25 1/2	4 3/4	4	9/16	9 1/2	
6 5/8 OD	4 3/4	2 1/8	10	12	26 3/4	4 3/4	4	9/16	9 1/2	
8 OD	4 3/4	2 1/8	12	14 1/8	30 1/2	4 3/4	4	9/16	11 3/4	
8 5/8	5 3/4	2 1/8	13	14 1/2	30 3/4	5 3/4	4	9/16	11 3/4	
10 OD	5 3/4	2 1/8	14 3/4	17 3/8	35 5/8	5 3/4	4	9/16	14 1/4	
10 3/4 OD	5 3/4	2 1/8	14 3/4	17 3/8	35 5/8	5 3/4	4	9/16	14 1/4	
12 OD	5 3/4	2 1/8	17 1/2	21	41 1/4	5 3/4	4	9/16	17	
12 3/4 OD	5 3/4	2 1/8	17 1/2	21	41 1/4	5 3/4	4	9/16	17	
14 OD	5 3/4	2 1/8	19	23 3/4	46	5 3/4	4	9/16	18 3/4	

All dimensions in inches

Push-Pull Slide Gate

Series "E"

For Gravity Flow Applications and Vacuum



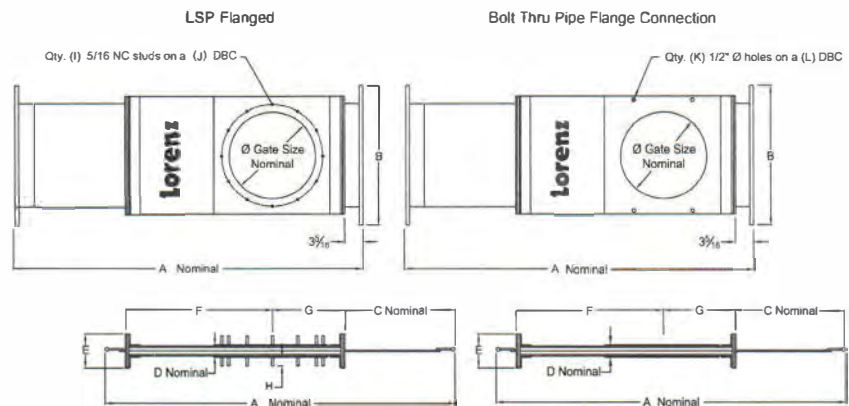
Available in sizes 2" to 12"

Standard Features

- Stainless steel material contact points
 - Dust tight seals
- Lightweight aluminum frame, corrosion resistant
 - Rated for 82° (180°F)

Options

- 316 stainless material contact
 - High temperature service
 - Tube stub adapters



Gate Size	A	B	C	D	E	F	G	H	I	J	K	L
2"	16 1/4	8 5/8	5	1 3/4	4 3/8	4 7/8	3 7/8	1 1/8	4	3 7/8	2	4 3/4
3"	19 3/8	10 1/8	6	1 3/4	4 3/8	6 1/4	4 1/2	1 1/8	4	5	2	6
4"	22 1/2	11 1/8	7	1 3/4	4 3/8	8	5	1 1/8	6	5 1/2	4	7 1/2
5"	27 1/8	12 1/8	8	1 3/4	4 3/8	10 5/8	6	1 1/8	8	6 1/2	4	8 1/2
6"	29 1/4	12 7/8	8 1/2	1 3/4	4 3/8	11 1/8	7	1 1/8	8	7 1/2	4	9 1/2
8"	35 5/8	14 7/8	11	1 3/4	4 3/8	14 1/8	8	1 1/8	8	9 1/2	4	11 3/4
10"	41 3/4	16 7/8	13	1 3/4	4 3/8	17 1/4	8 7/8	1 1/4	8	11 1/2	4	14 1/4
12"	47 5/8	18 7/8	15	1 7/8	4 3/8	20 1/8	9 7/8	1 1/4	12	13 13/16	4	17